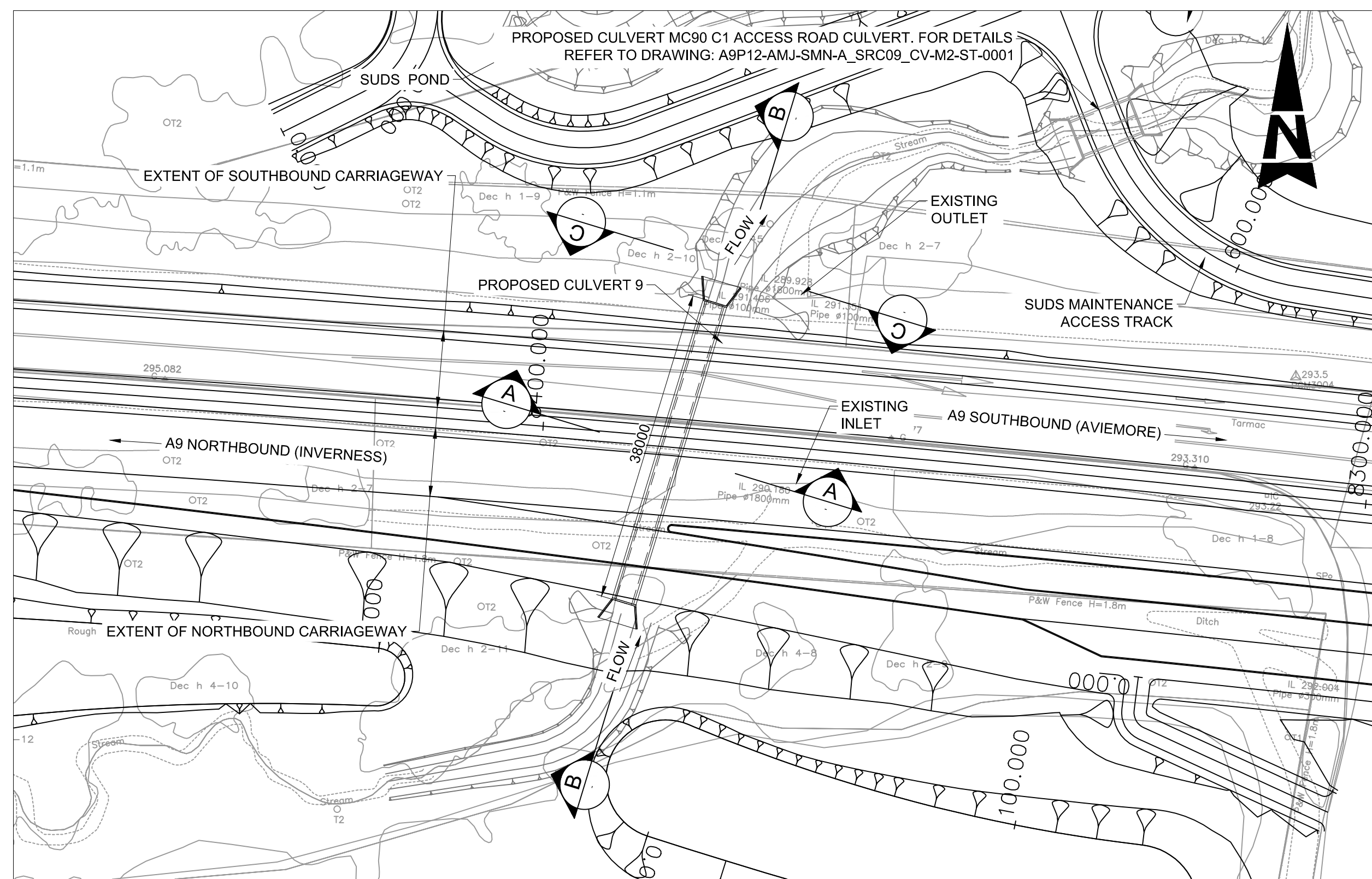
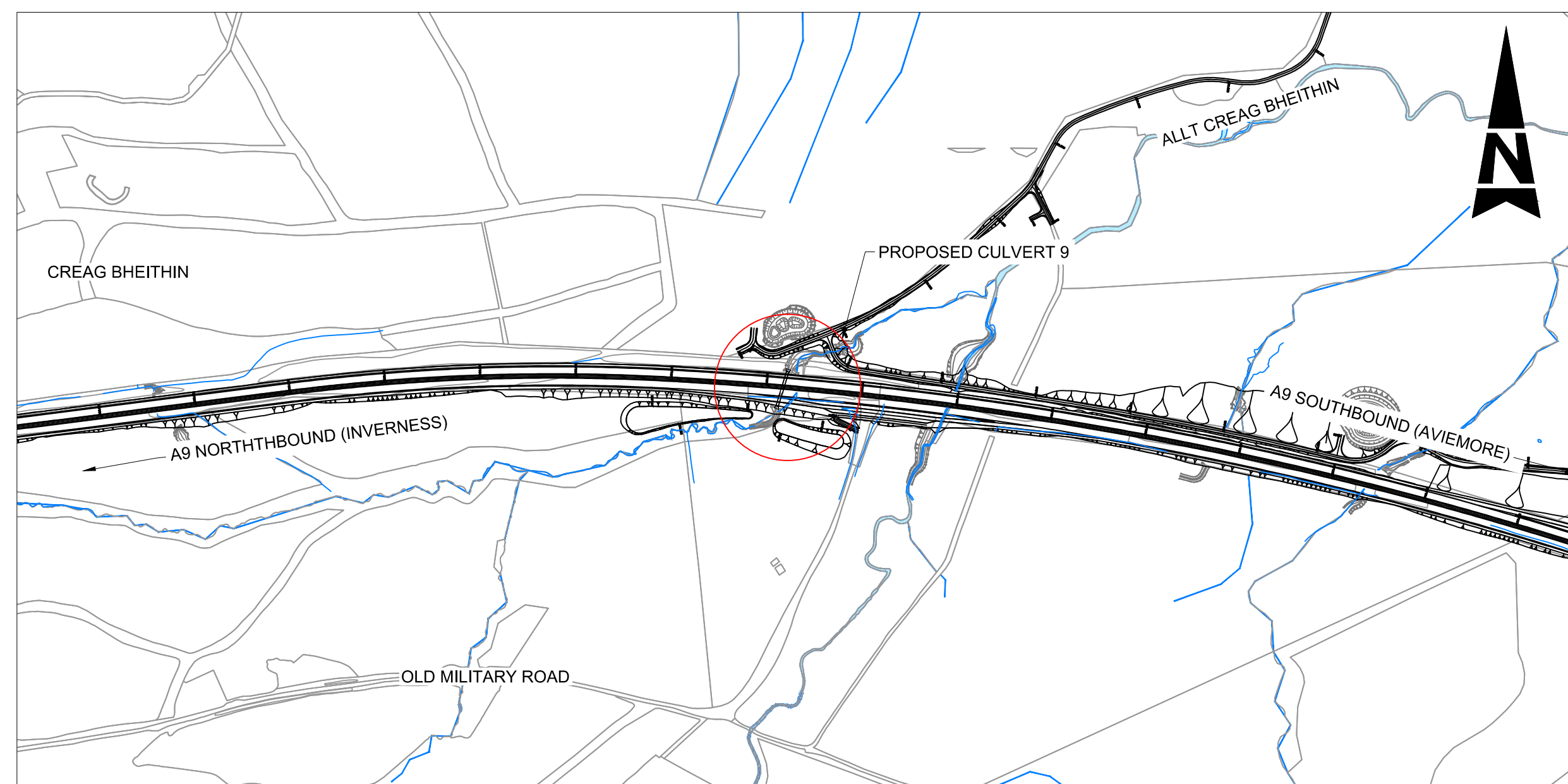


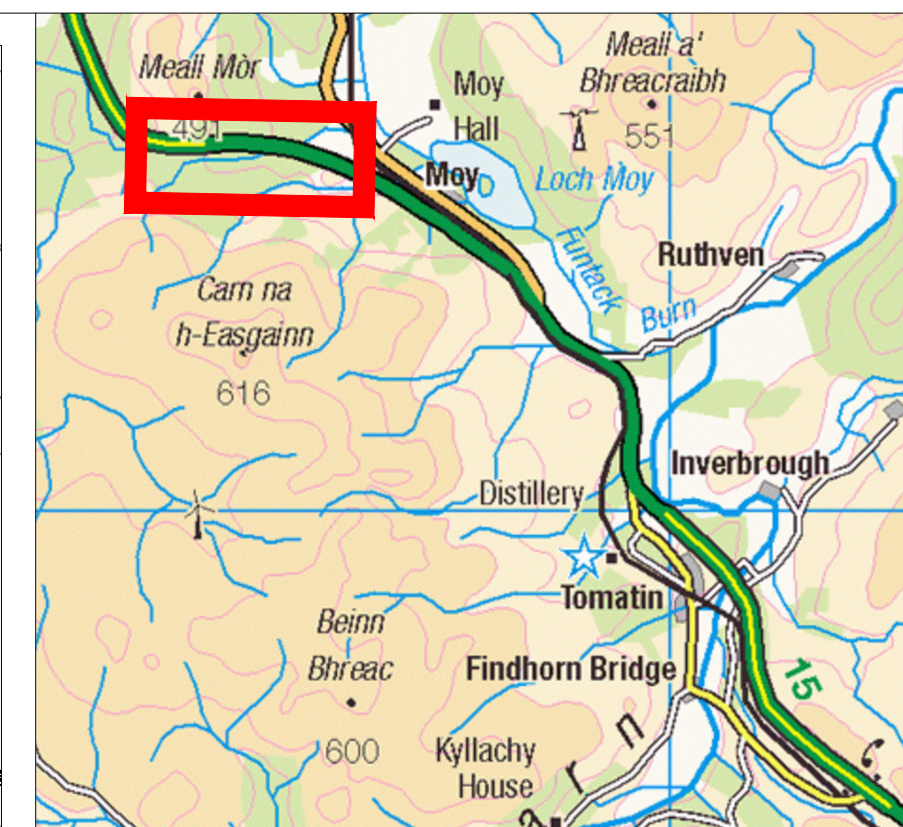
100
Millimetres
0 10
DO NOT SCALE



PLAN
SCALE 1:500



LOCATION PLAN
SCALE 1:5000

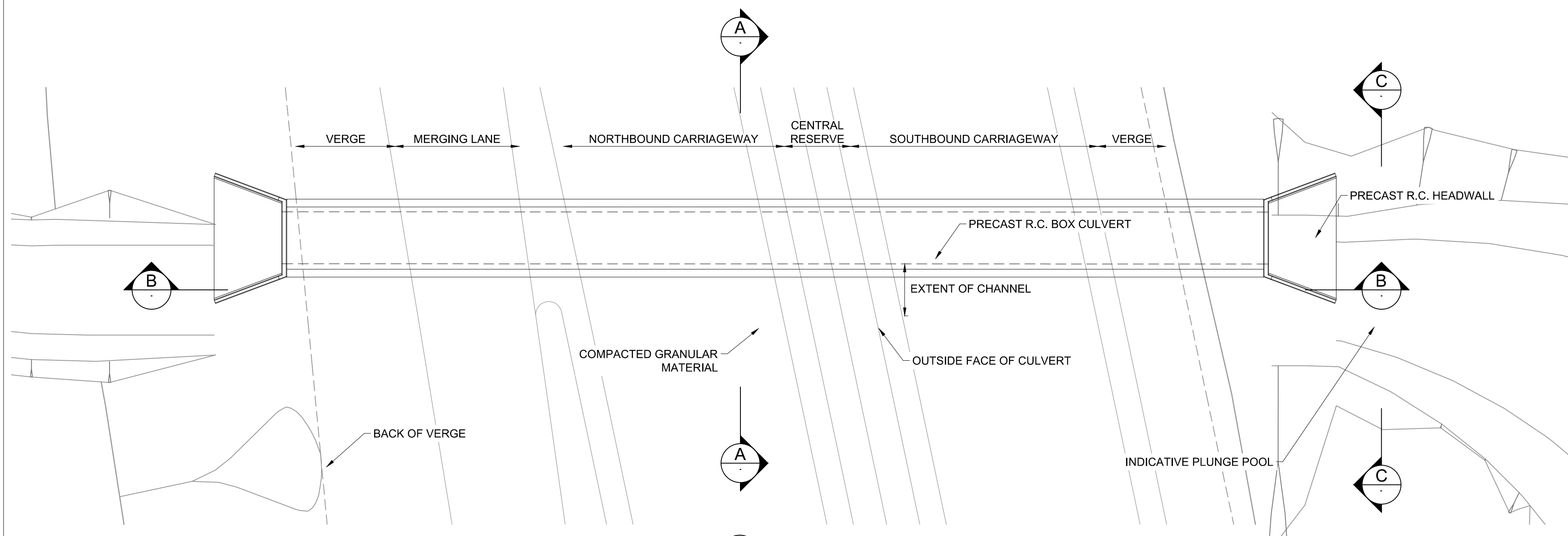


NOTES:

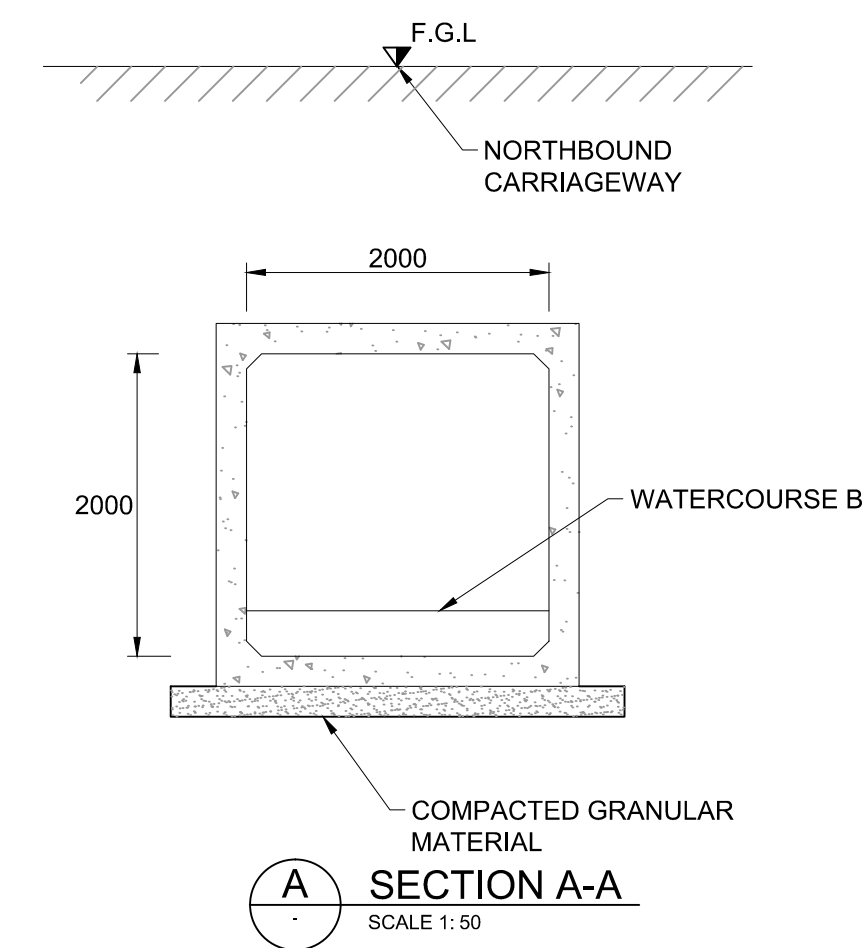
1. ALL DIMENSIONS ARE IN MILLIMETRES UNLESS STATED OTHERWISE.
2. THIS DRAWING IS TO BE READ IN CONJUNCTION WITH THE ENVIRONMENTAL STATEMENT.
3. THIS DRAWING IS A STAGE 3 GENERAL ARRANGEMENT AND IS SUBJECT TO CHANGE.

KEY:

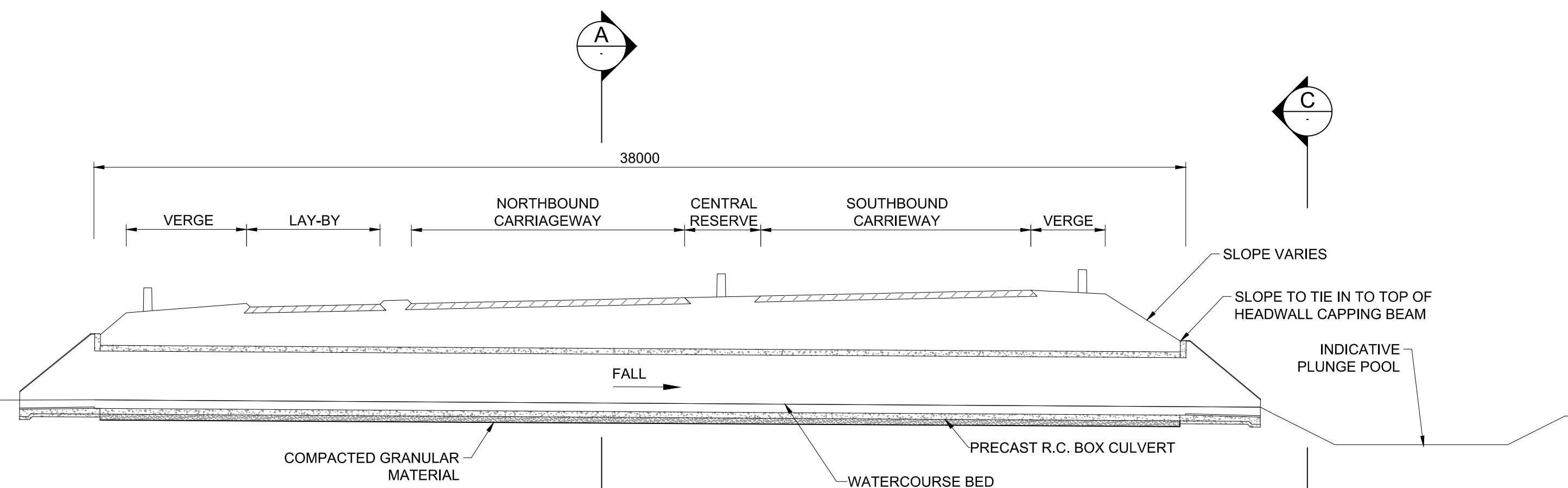
EXISTING WATER COURSES & STREAMS



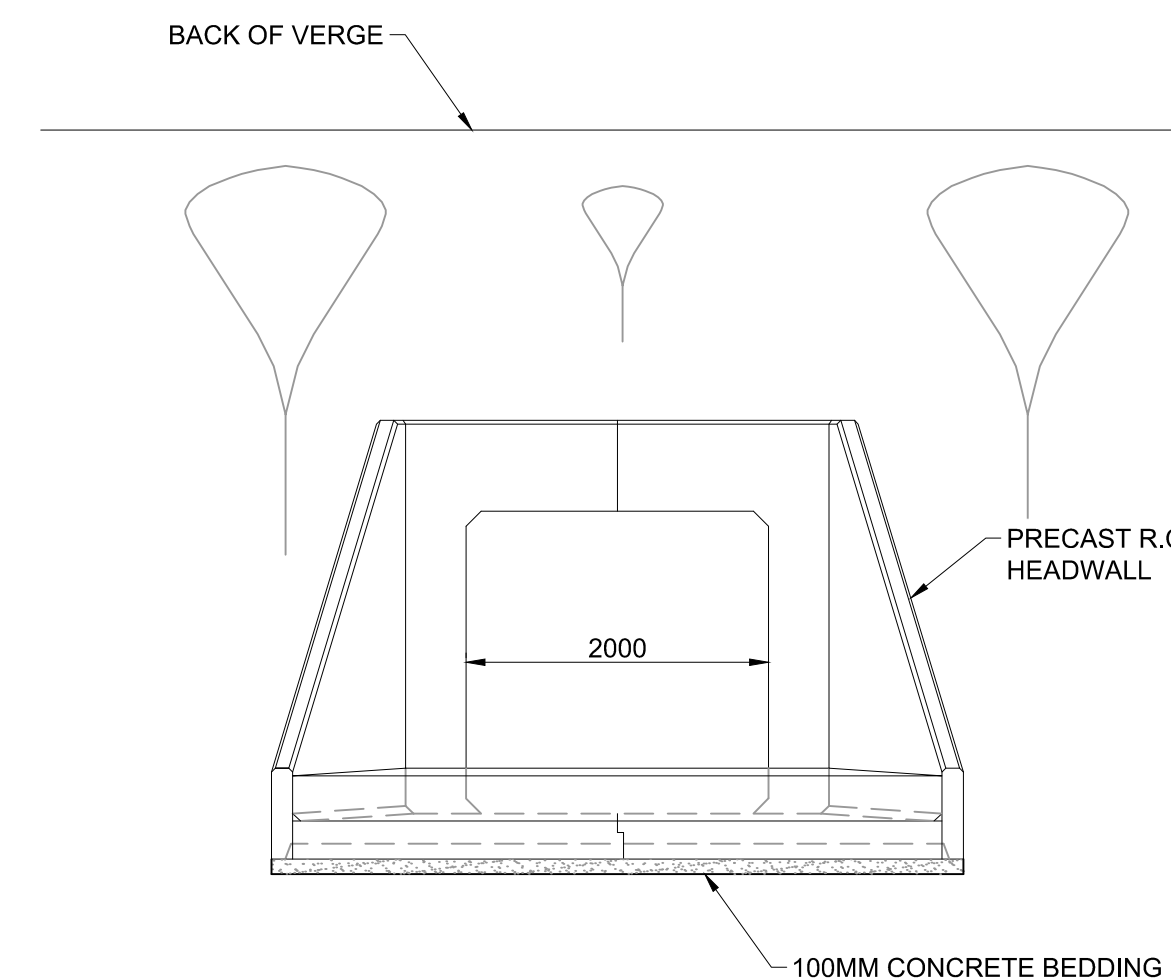
PLAN ON CULVERT
SCALE 1:100



SECTION A-A
SCALE 1:50



SECTION B-B
SCALE 1:150



ELEVATION C-C
SCALE 1:50

P01	RC	GA	RB	30/03/18
FIRST ISSUE				
Rev	Drawn / Des	Checked	Approved	Date
Description				
Drawing Status				Suitability
FINAL				B

Client
TRANSPORT SCOTLAND
COMHDHAIL ALBA



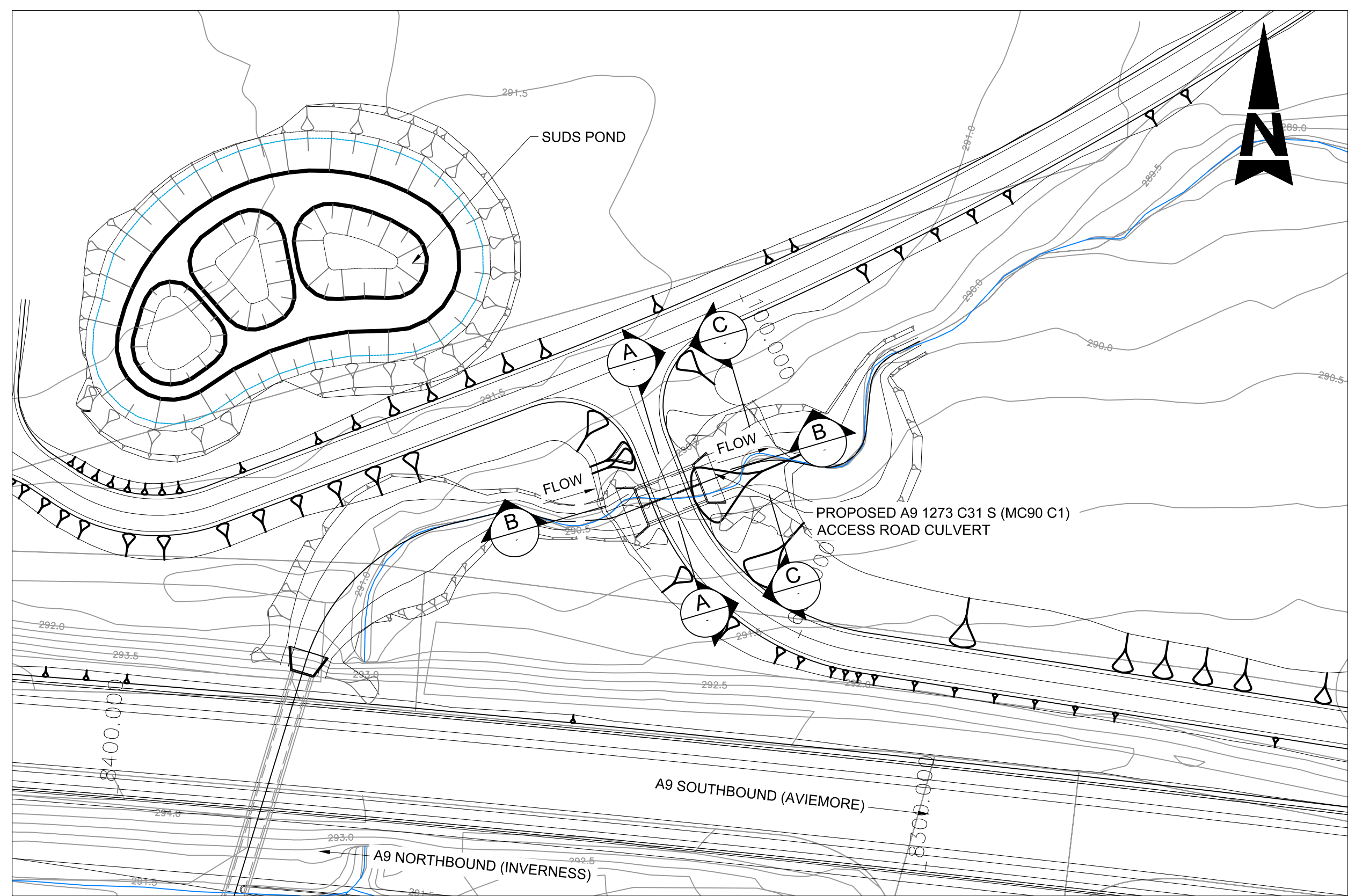
ATKINS mouchel

Drawing Title				
FIGURE 5.14A A9 1273 C31 CULVERT 9 INDICATIVE ARRANGEMENT - SHEET 1 OF 3				
Scale	Designed / Drawn	Checked	Approved	Authorised
AS SHOWN	RC	GA	RB	SB
Original Size	Date	Date	Date	Date
A1	30/03/18	30/03/18	30/03/18	30/03/18
Drawing Number	Project	Originator	Volume	Revision
	A9P12 - AMJ - HML -			P01
	A_MLCO9_CV - DR - ST - 0001			
Location	Type	Role	Number	

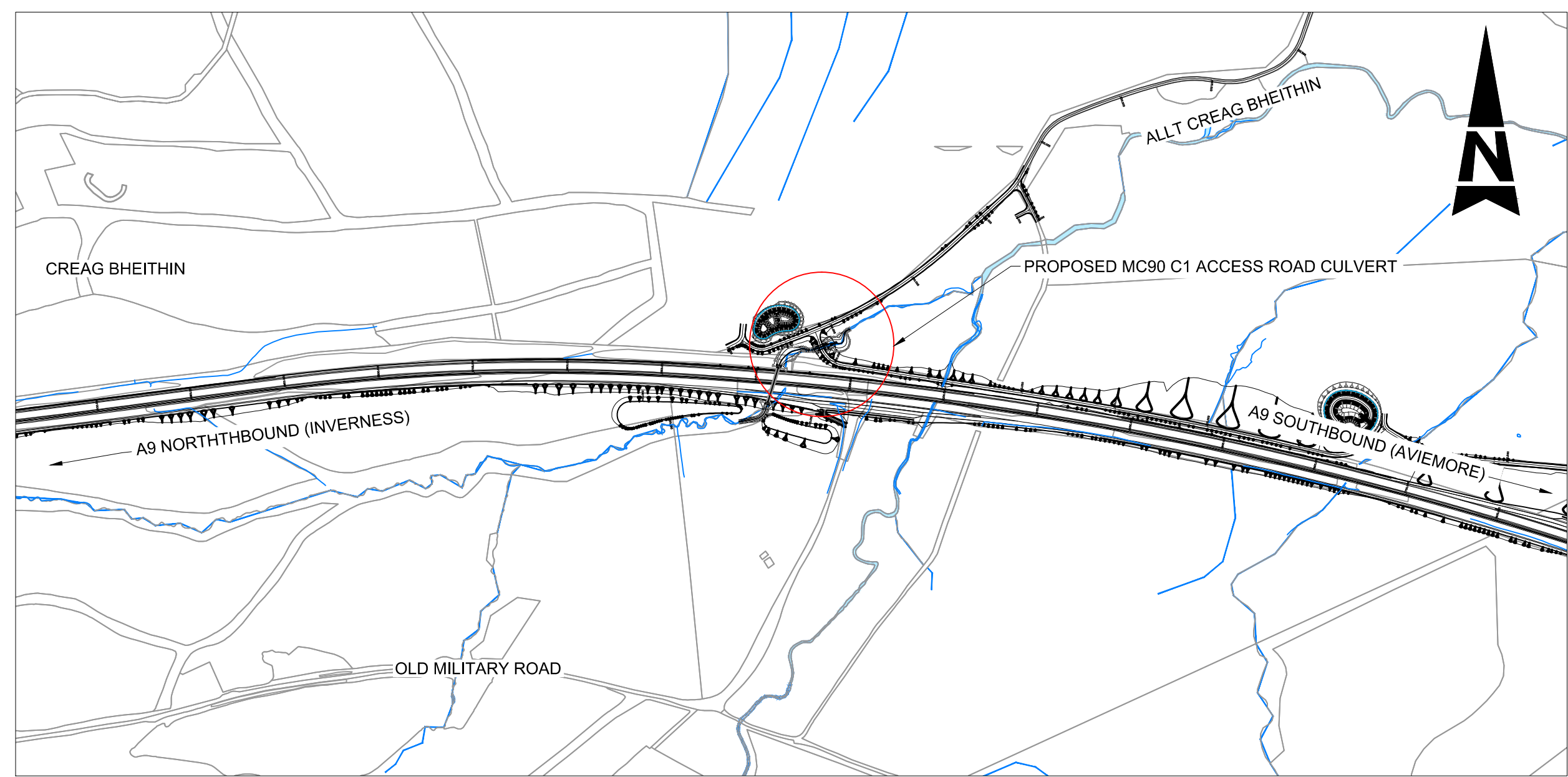
Plotted: Apr 03, 2018 - 1:39pm by: UKSMY600

Reproduced by permission of Ordnance Survey on behalf of HMSO. © Crown copyright and database right 2018. All rights reserved. Ordnance Survey Licence number 100046668.

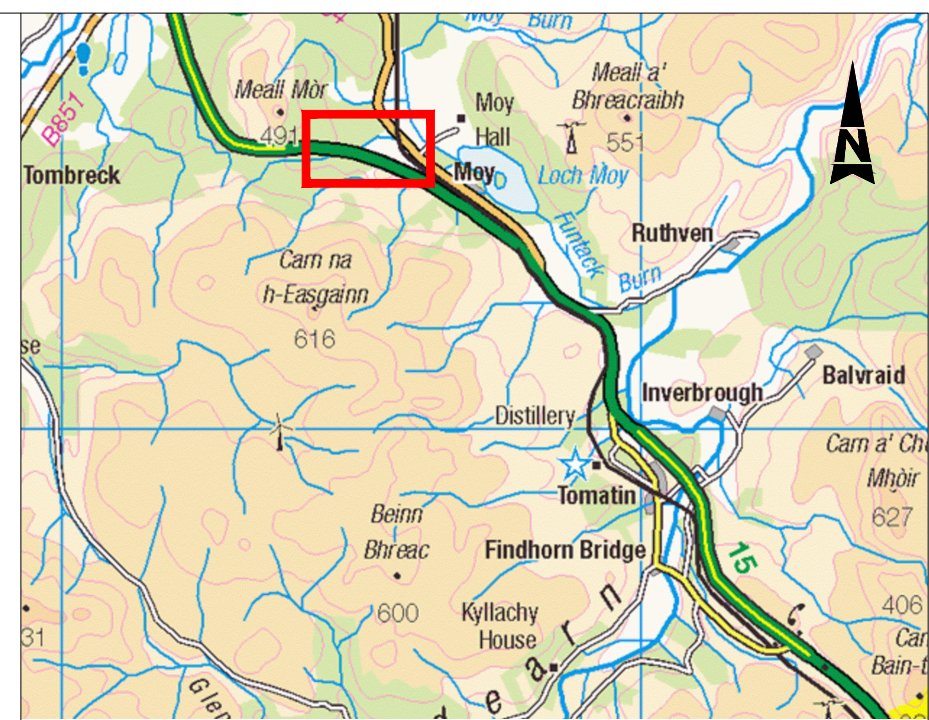
100
Millimetres
0 10
DO NOT SCALE



PLAN
SCALE 1:500



LOCATION PLAN
SCALE 1:5000

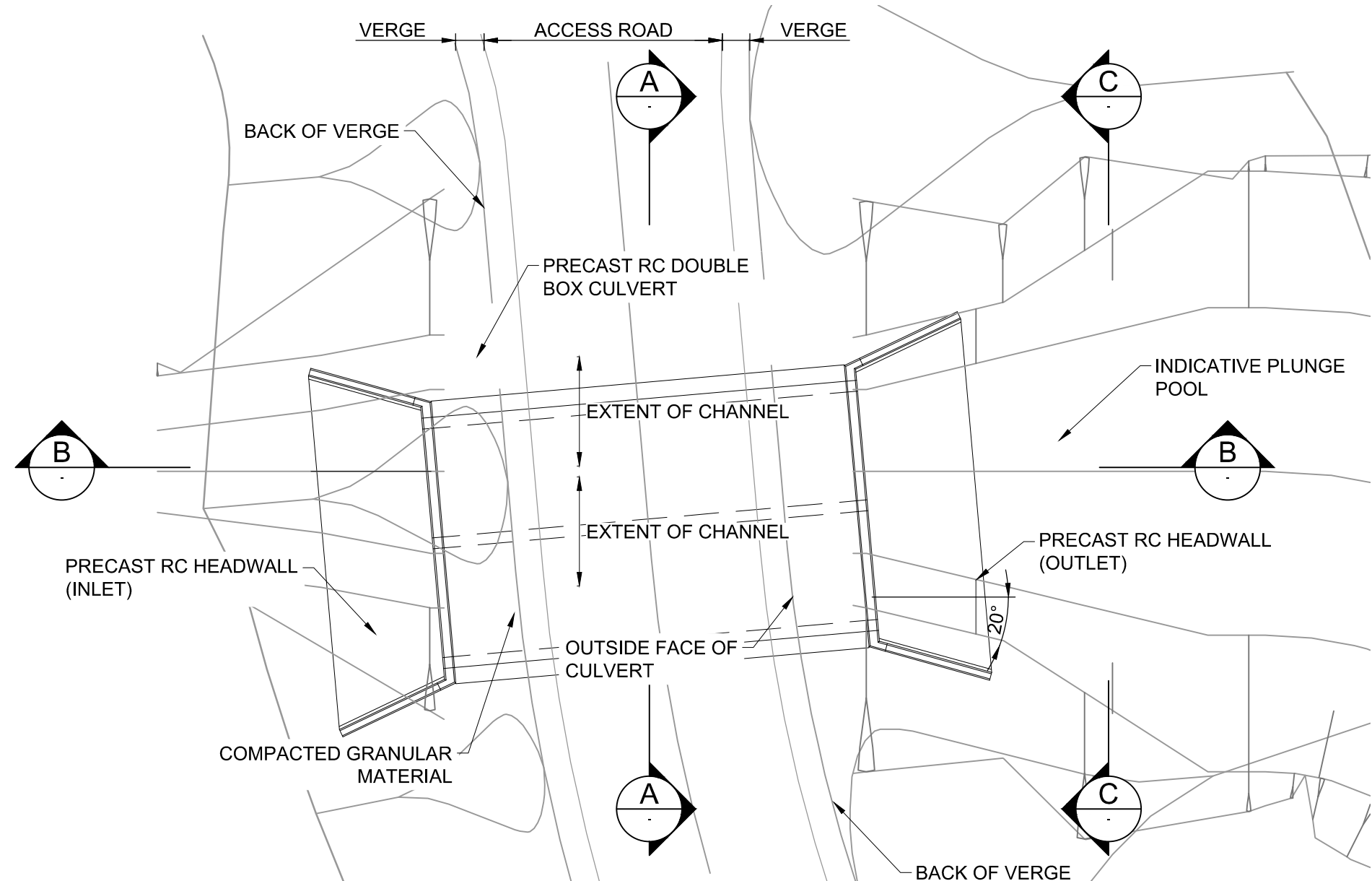


NOTES:

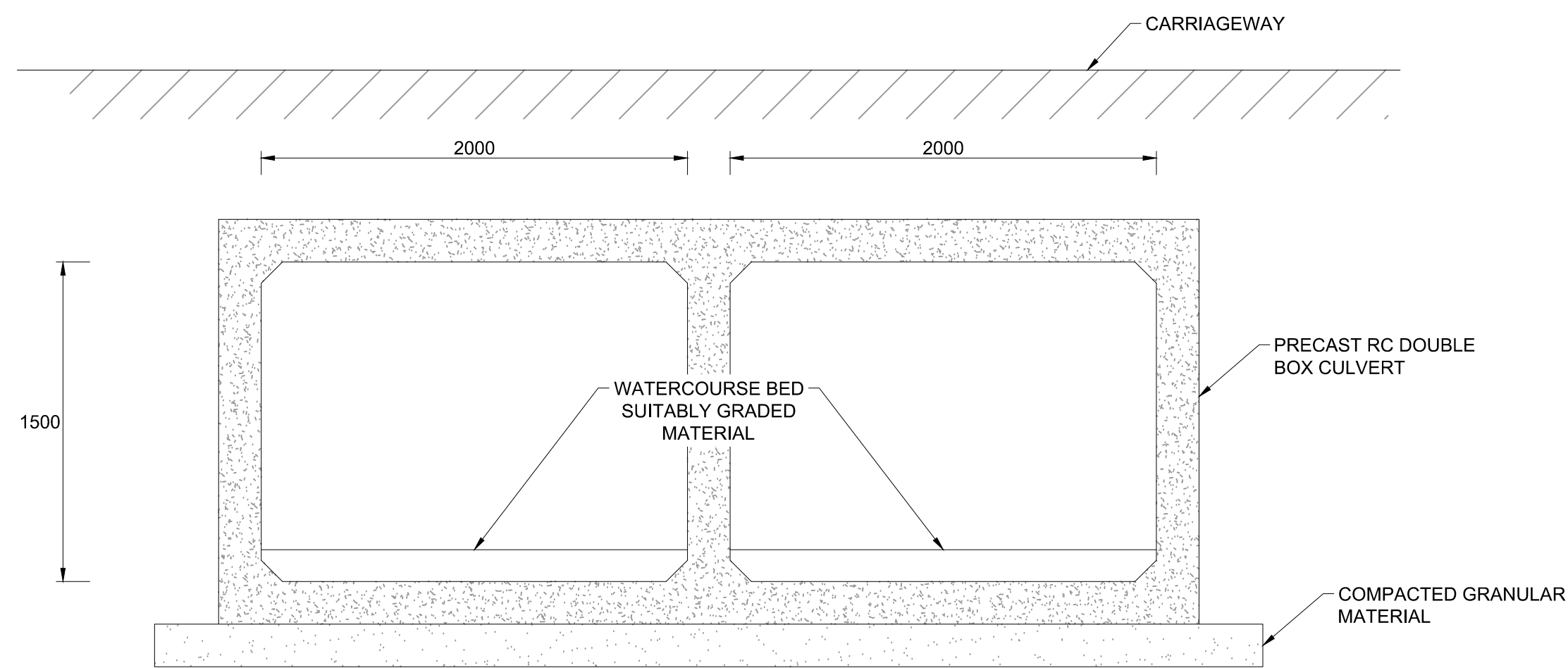
1. ALL DIMENSIONS ARE IN MILLIMETRES UNLESS STATED OTHERWISE.
2. THIS DRAWING IS TO BE READ IN CONJUNCTION WITH THE ENVIRONMENTAL STATEMENT.
3. THIS DRAWING IS A STAGE 3 GENERAL ARRANGEMENT AND IS SUBJECT TO CHANGE.

KEY:

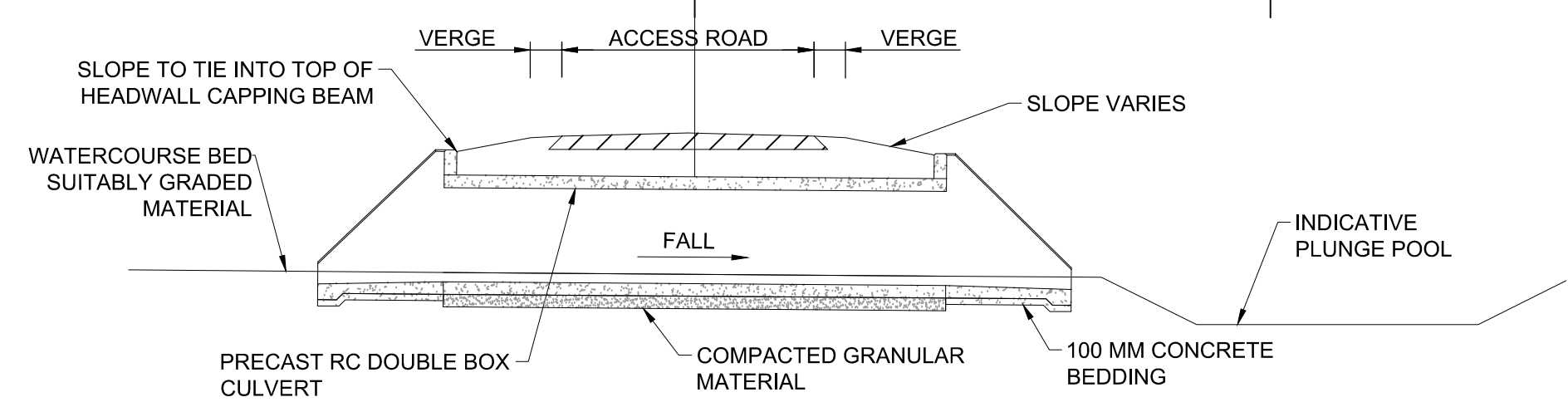
EXISTING WATER COURSES & STREAMS



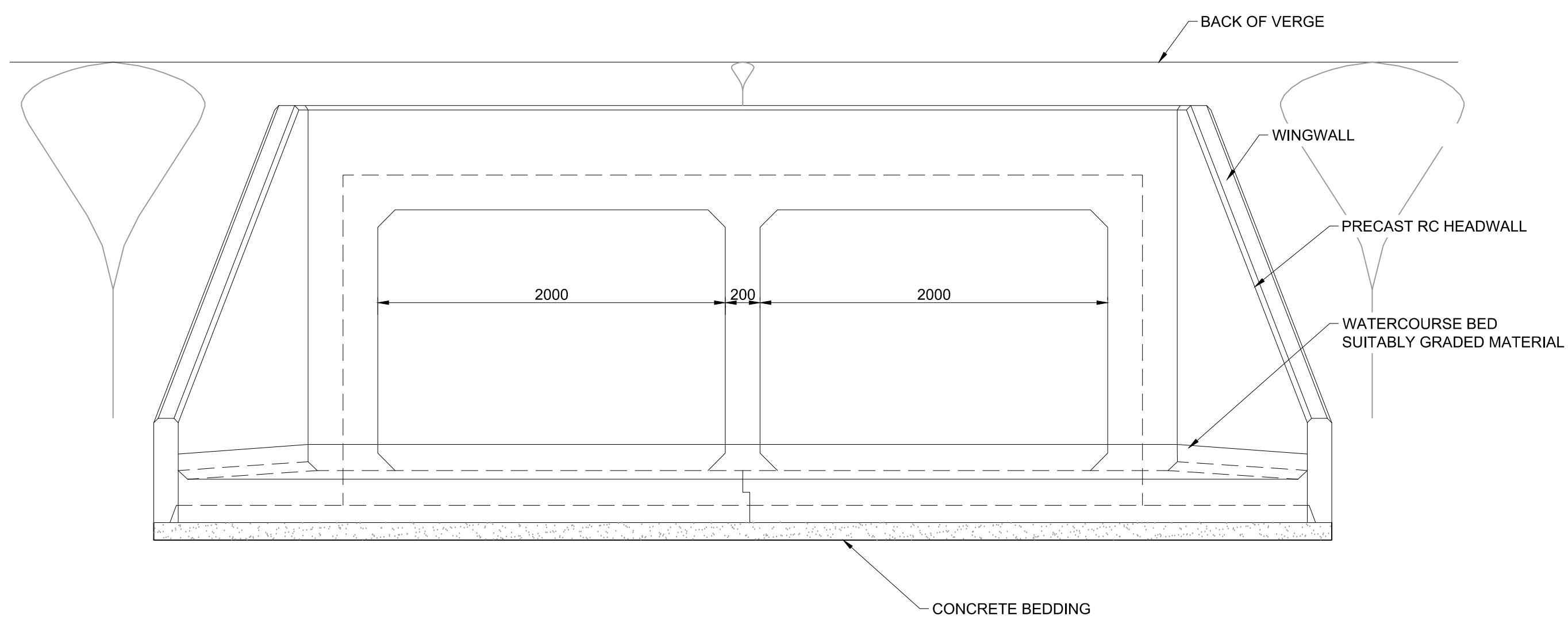
PLAN ON CULVERT
SCALE 1:100



SECTION A-A
SCALE 1:25



SECTION B-B
SCALE 1:100



ELEVATION C-C
SCALE 1:25

P01	RC	GA	RB	30/03/18
FIRST ISSUE				
Rev	Drawn / Des	Checked	Approved	Date
Description				
Drawing Status				Subsidiarity
FINAL				B

Client
TRANSPORT SCOTLAND
COMHDHAIL ALBA



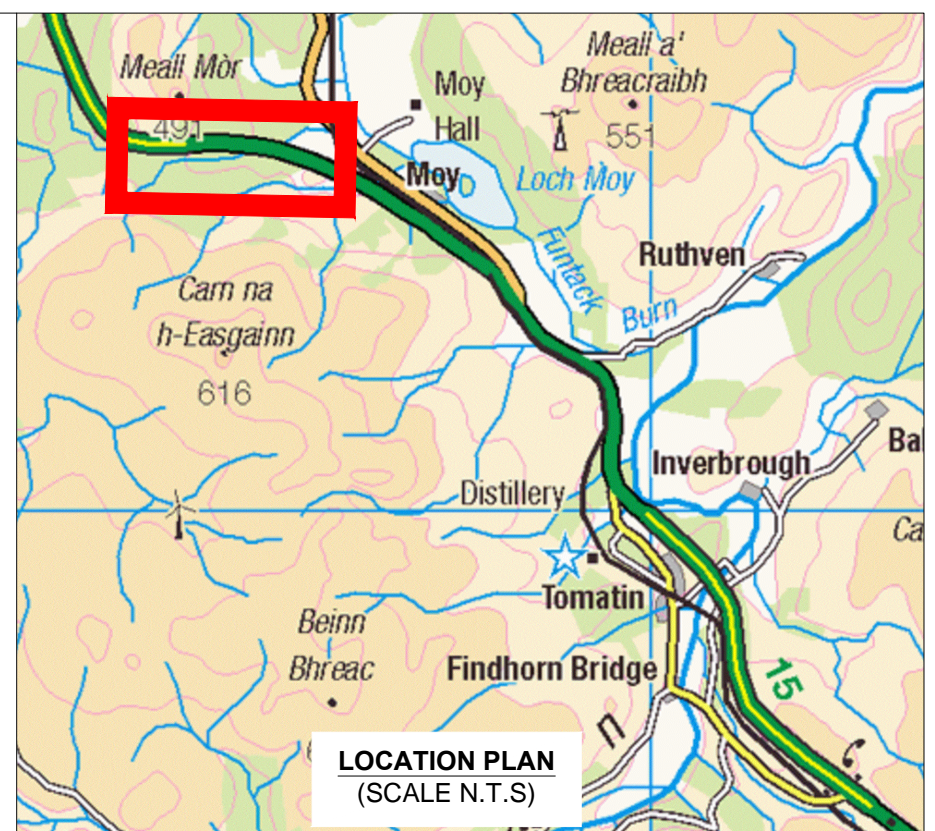
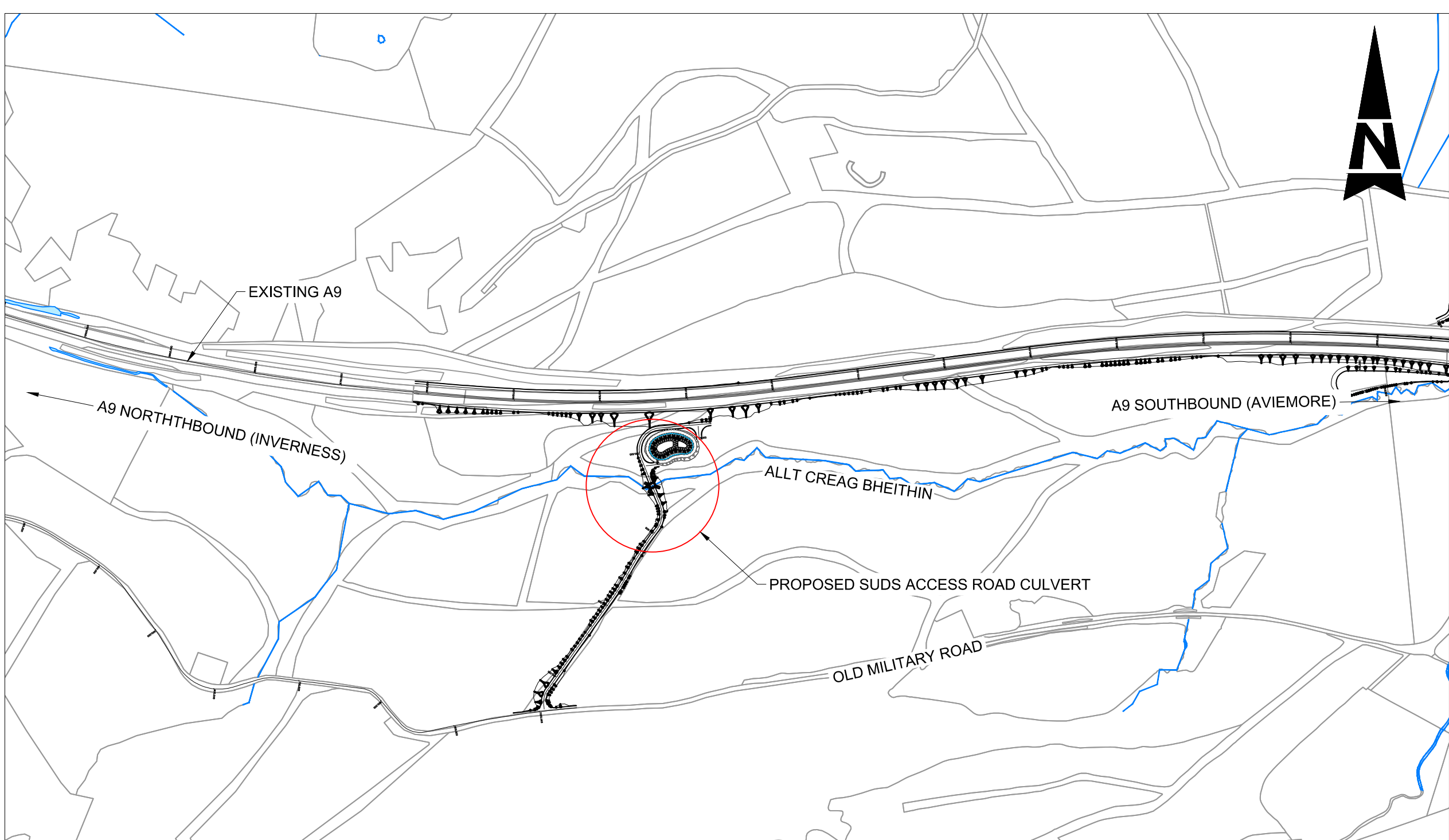
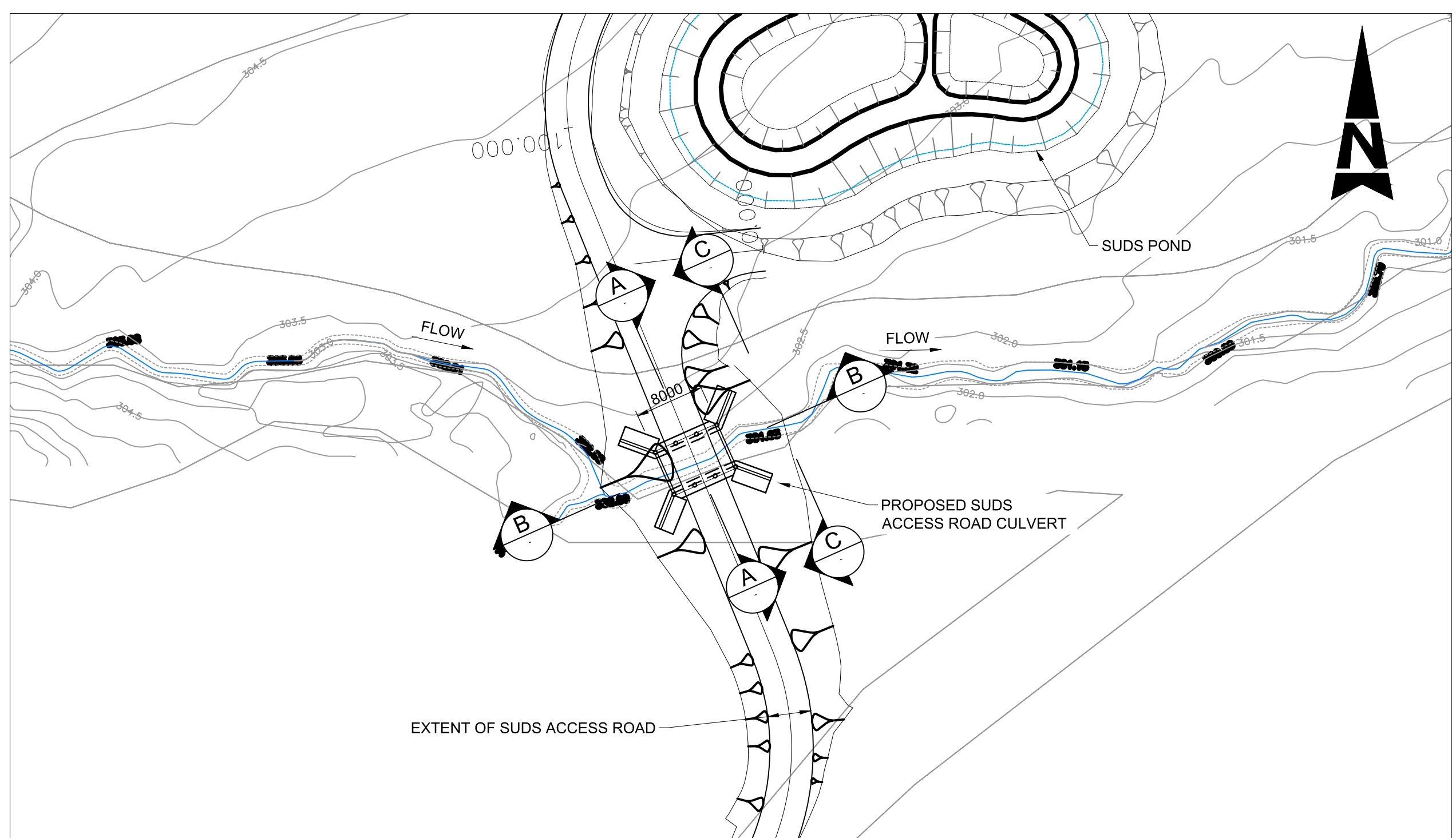
ATKINS mouchel

Drawing Title				
FIGURE 5.14B A9 1273 C31 S ACCESS ROAD CULVERT INDICATIVE ARRANGEMENT - SHEET 2 OF 3				
Scale	Designed / Drawn	Checked	Approved	Authorised
AS SHOWN	RC	GA	RB	SB
Original Size	Date	Date	Date	Date
A1	30/03/18	30/03/18	30/03/18	30/03/18
Drawing Number	Project	Originator	Volume	Revision
	A9P12 - AMJ - HML -			P01
	A_SR09_CV - DR - ST - 0002			
Location	Type	Role	Number	

Plotfile: Apr_03_2018 - 3:35pm by: UKSMY600

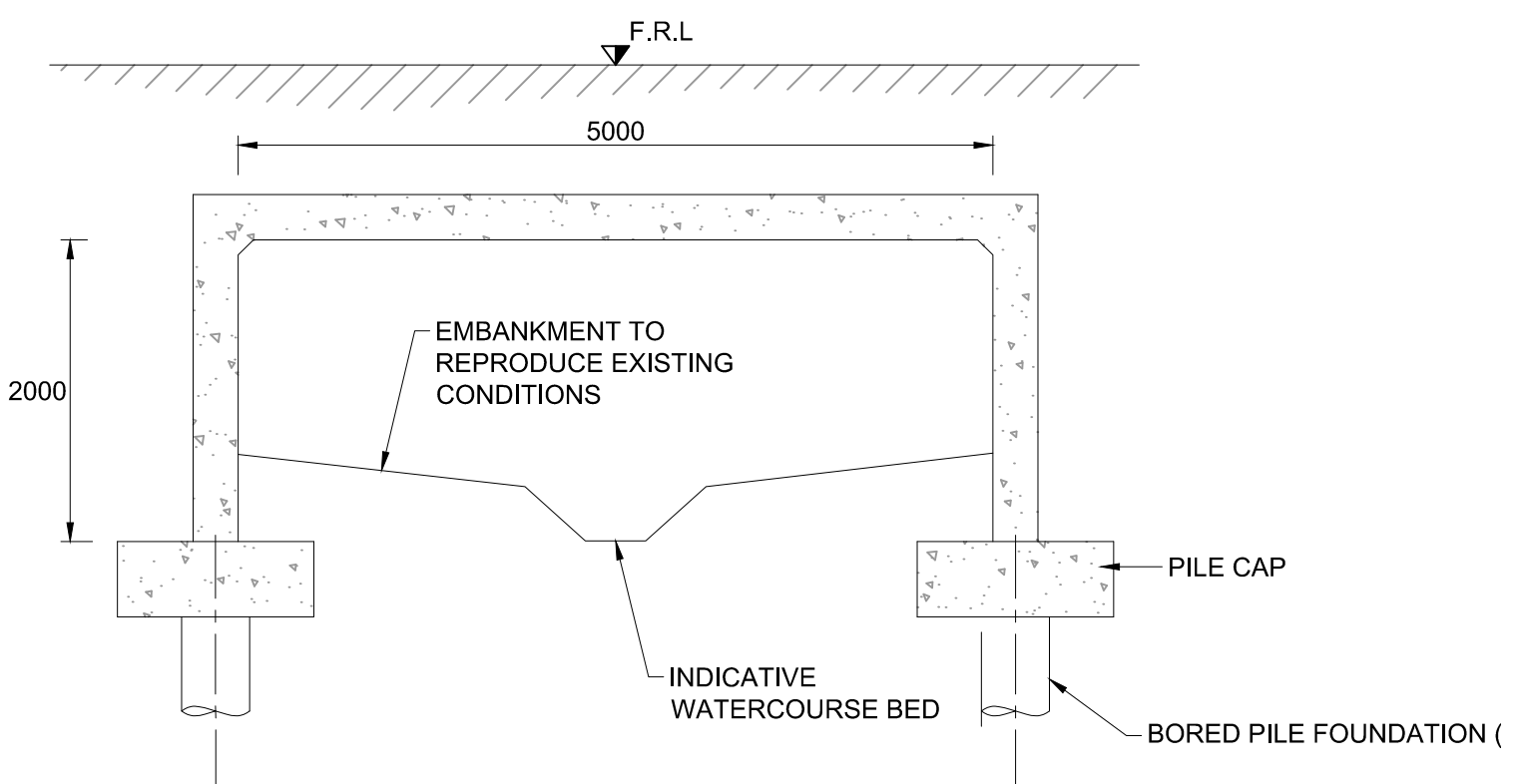
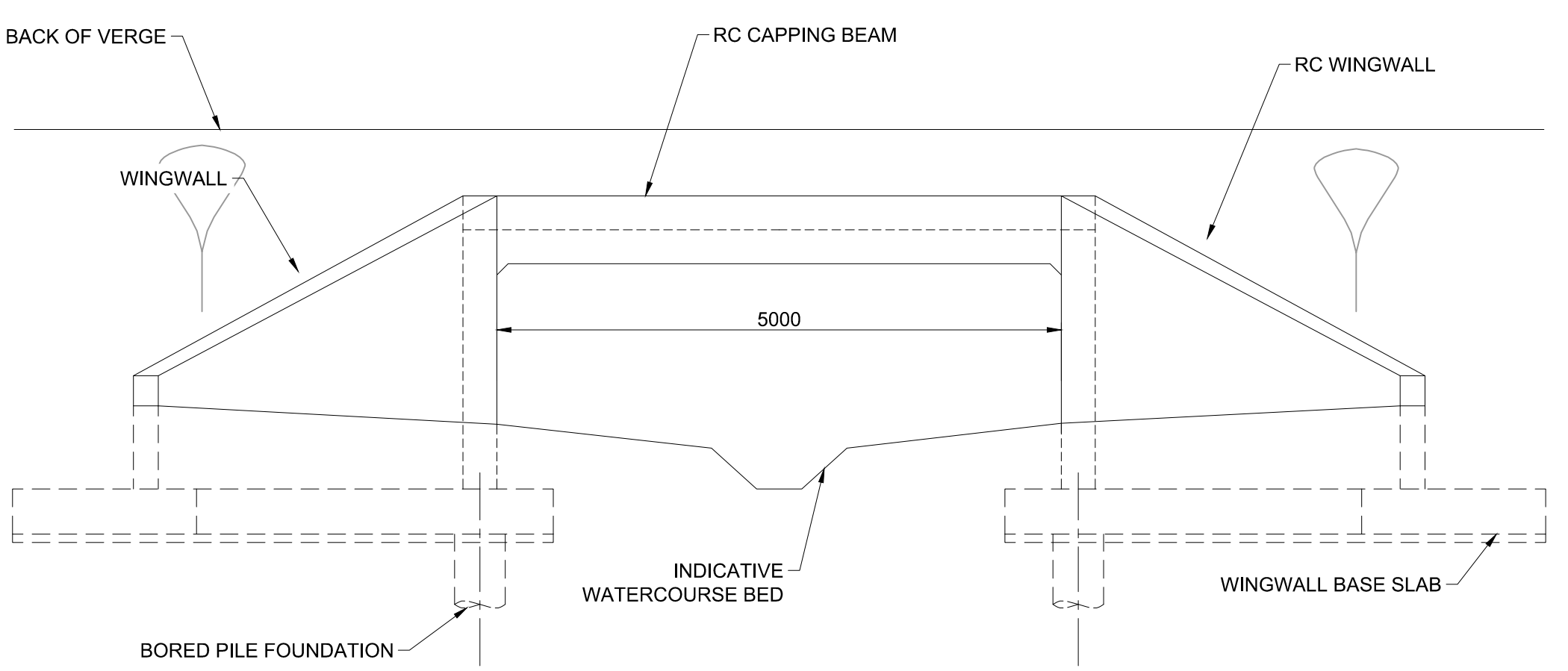
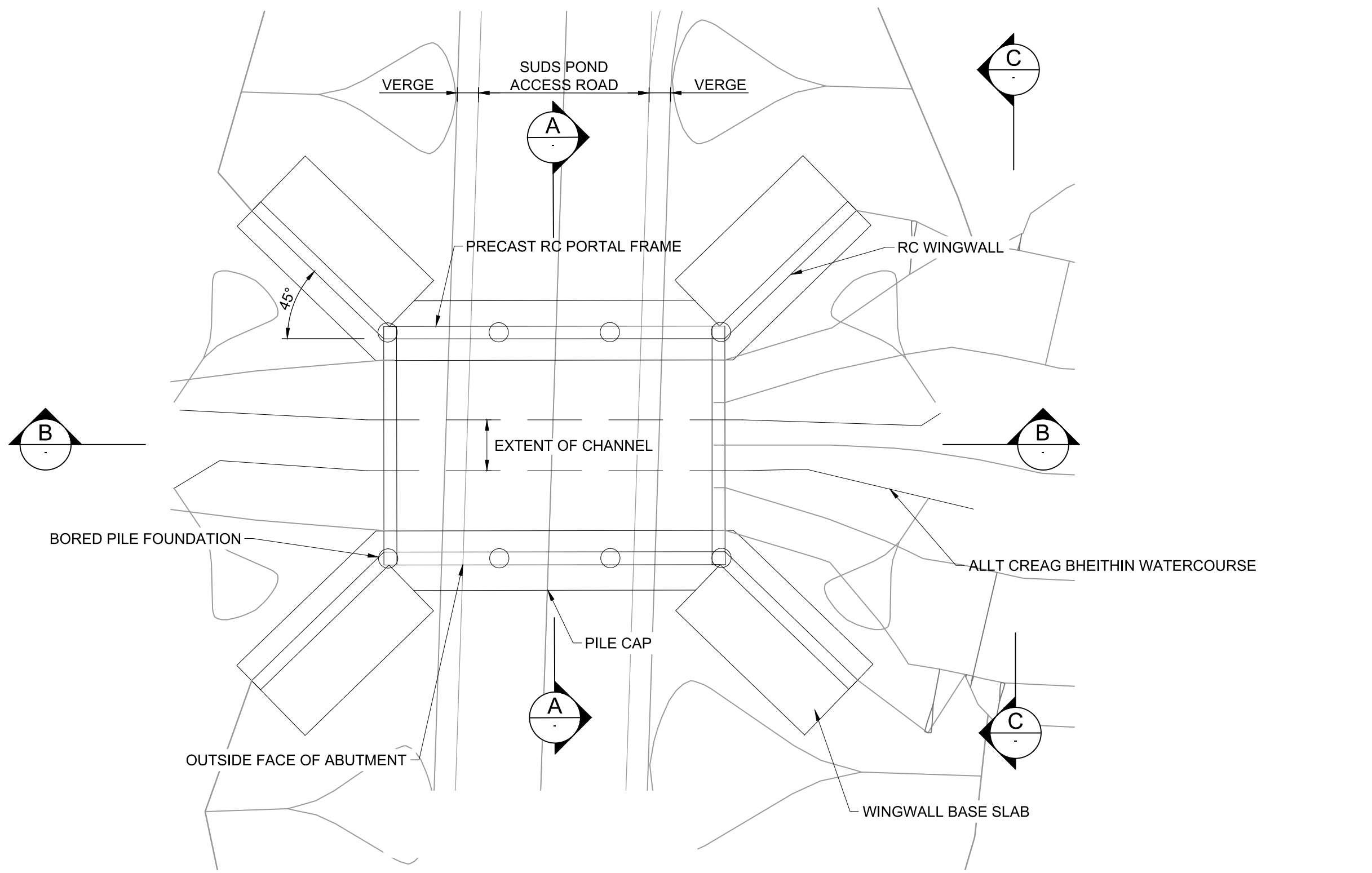
Reproduced by permission of Ordnance Survey on behalf of HMSO. © Crown copyright and database right 2018. All rights reserved. Ordnance Survey Licence number 100046668.

100
Millimetres
0 10
DO NOT SCALE



- NOTES:
1. ALL DIMENSIONS ARE IN MILLIMETRES UNLESS STATED OTHERWISE.
 2. THIS DRAWING IS TO BE READ IN CONJUNCTION WITH THE ENVIRONMENTAL STATEMENT.
 3. THIS DRAWING IS A STAGE 3 GENERAL ARRANGEMENT AND IS SUBJECT TO CHANGE.

KEY:
EXISTING WATER COURSES & STREAMS



P01	RC	GA	RB	30/03/18
FIRST ISSUE				
Rev	Drawn / Des	Checked	Approved	Date
Description				
Drawing Status				Subtality
FINAL				B

Client
TRANSPORT SCOTLAND
COMHDHAIL ALBA

A9 DUALLING
PERTH TO INVERNESS
Tomatin to Moy

ATKINS mouchel

FIGURE 5.14C
A9 1273 MCY0 C1 SUDS ACCESS ROAD CULVERT
INDICATIVE ARRANGEMENT - SHEET 3 OF 3

Scale	Designed / Drawn	Checked	Approved	Authorised
AS SHOWN	RC	GA	RB	SB
Original Size	Date	Date	Date	Date
A1	30/03/18	30/03/18	30/03/18	30/03/18
Drawing Number	Originator	Volume	Revision	
Project	A9P12 - AMJ - HML -		P01	
Location	A_SRSUD_CV - DR - ST - 0002			
Type		Role	Number	

Plotted: Apr 03, 2018 - 1:29pm by: UKSMY600

Reproduced by permission of Ordnance Survey on behalf of HMSO. © Crown copyright and database right 2018. All rights reserved. Ordnance Survey Licence number 100046668.