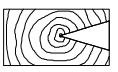
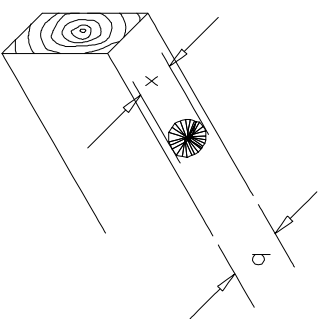


1 Knots (live)

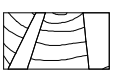
Edge knot



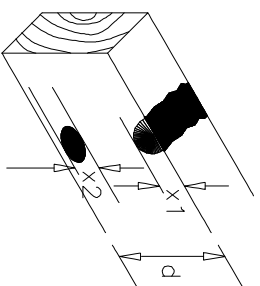
Acceptable  
If  $x$  is less than  $2b/3$



Margin knot



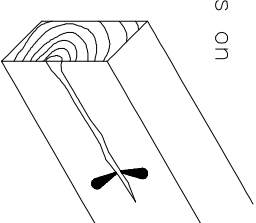
Acceptable  
If knot of type  $x1$  occurs and  $x1$  is less than  $d/3$



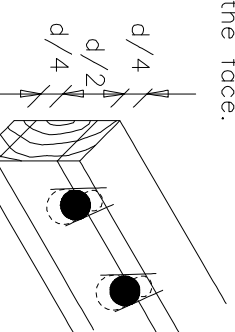
Shallow knots on heart side.



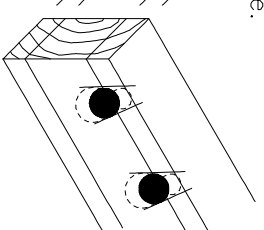
Acceptable



Face knots other than those contained within the middle half of the face.



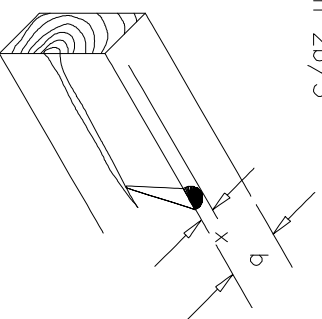
Acceptable  
If maximum dimension of knot is less than  $d/3$



Splay knot



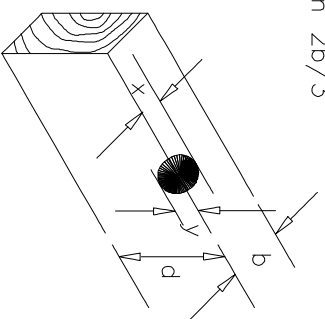
Acceptable  
If  $x$  is less than  $2b/3$



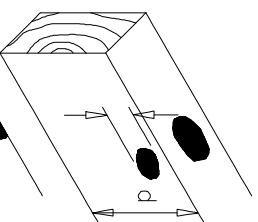
Arris knot



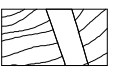
Acceptable  
If  $x + y/3$  is less than  $d/3$



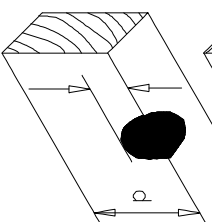
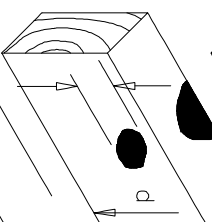
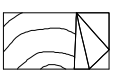
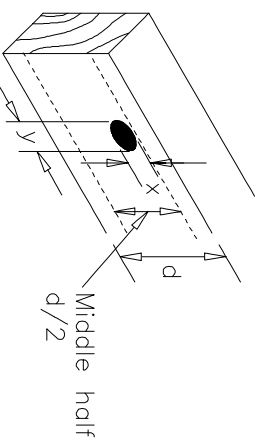
Knots showing both on the edge and within the outer quarter of the face



Face knot

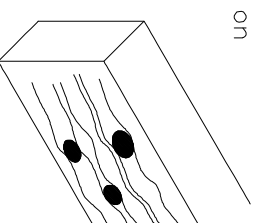
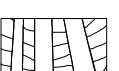


Acceptable if the largest dimension of  $x$  or  $y$  is less than  $d/2$  and knot is contained within the middle half of face.



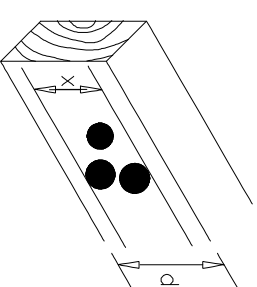
Consider as margin knot. Acceptable if maximum dimension of knot appearing on face is less than  $d/3$

Groups of knots  
No overlapping of knot when viewed on section



Consider separately providing grain recoverers between knots. Otherwise treat as knot cluster.

Knot cluster  
Knots overlapping when viewed on section



Consider as one knot. Acceptable if overall dimension  $x$  is less than  $d/2$

CLIENT



PROJECT TITLE

M8 M73 M74  
Motorway Improvements

REV	REVISIONS	BY	CHKD	APPD	DATE

AMENDMENTS

This map is based upon Ordnance Survey material with the permission of Ordnance Survey on behalf of the Controller of Her Majesty's Stationery Office (© Crown Copyright 2011). Any material published hereon is copyright Ordnance Survey and may not be reproduced without the permission of Ordnance Survey. Licence number: 100046668 2011.					
DESIGN BY:	DM	CHECKED BY:	MLB	DATE:	JAN 10
DATE:	JAN 10	DATE:	JAN 10	DATE:	JAN 10
DRAWN BY:	DM	APPROVED BY:	WW	DATE:	JAN 10
DATE:	JAN 10	DATE:	JAN 10	DATE:	JAN 10

DRAWING STATUS

CONTRACT

ENGINEER

**mouchel FAIRHURST**

IN ASSOCIATION WITH  
**SIAS amec**

DRAWING TITLE

Accommodation Works /F3  
Rules for the selection of non structural timber for use in environmental barriers

SCALE @ A3  
N/S DRAWING NO  
M8MFJV/AW/003

REV

—