

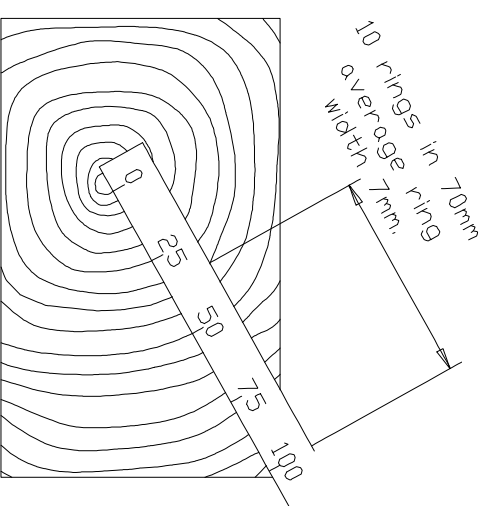
## 2 Knots (dead)

A knot whose fibres are intergrown with those of the surrounding wood to an extent of less than 1/4 of the cross sectional area

Acceptable

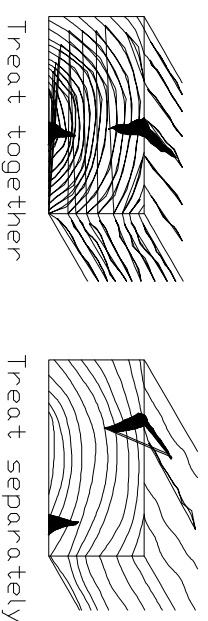
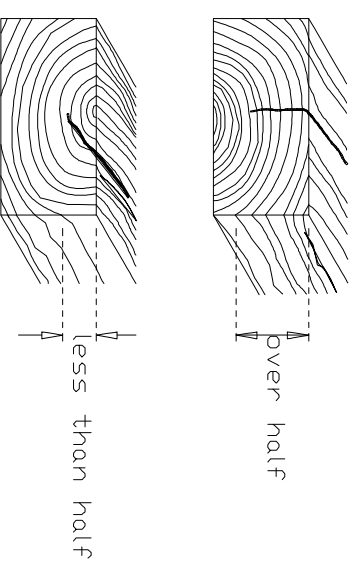
If the largest diameter is less than 20mm.

## 4 Rate of Growth



Acceptable if average ring width is not greater than 10mm

## 5 Checks



Checks on opposing surfaces.  
Acceptable if less than 1/2 penetration

## 6 Wormholes

Acceptable if scattered wormholes are less than 4mm diameter.

## 7 Stain

Evidence of black or blue discolouration is acceptable.

## 8 Mechanical Damage

Not acceptable.

## 9 Rot

Any evidence of brown or white discolouration which when probed appears softer or weaker than the surrounding timber is not acceptable

(N.B. Pith is not to be considered a defect under this rule.)

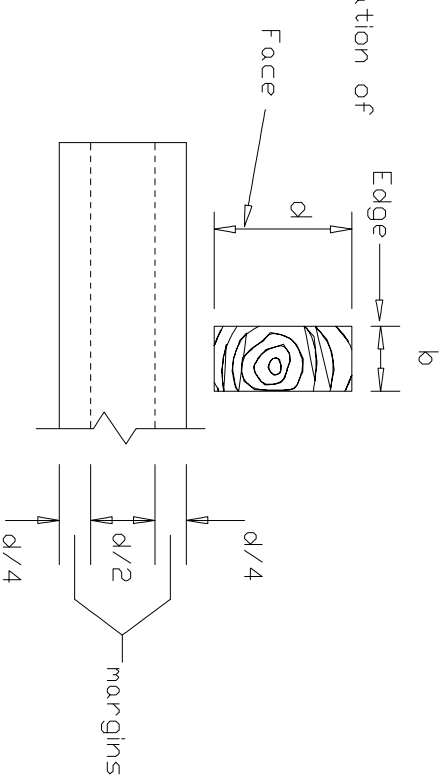
## 10 Distortion

Excessive distortion which would render the piece incapable of meeting the tolerances required by the design or end product is not acceptable.

## 11 Wane

Not acceptable.

Interpretation of Terms



REV	REVISIONS	BY	CHKD	APPR	DATE

DESIGN BY:	CHECKED BY:	DATE:	DATE:
DM	MA8	JAN 10	JAN 10
DM	WW	JAN 10	JAN 10