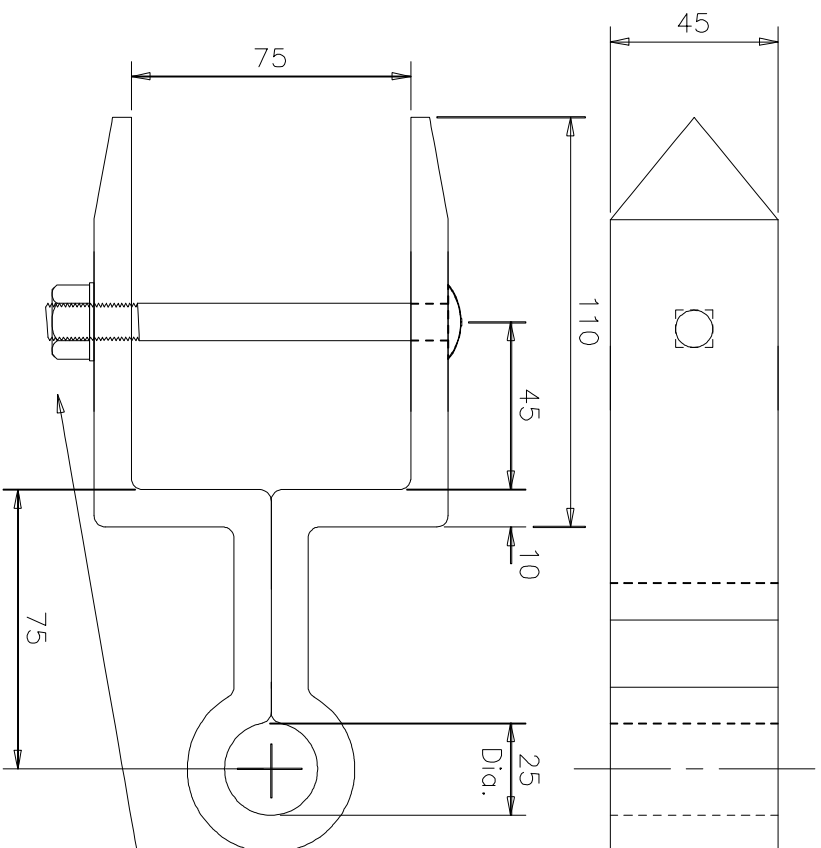


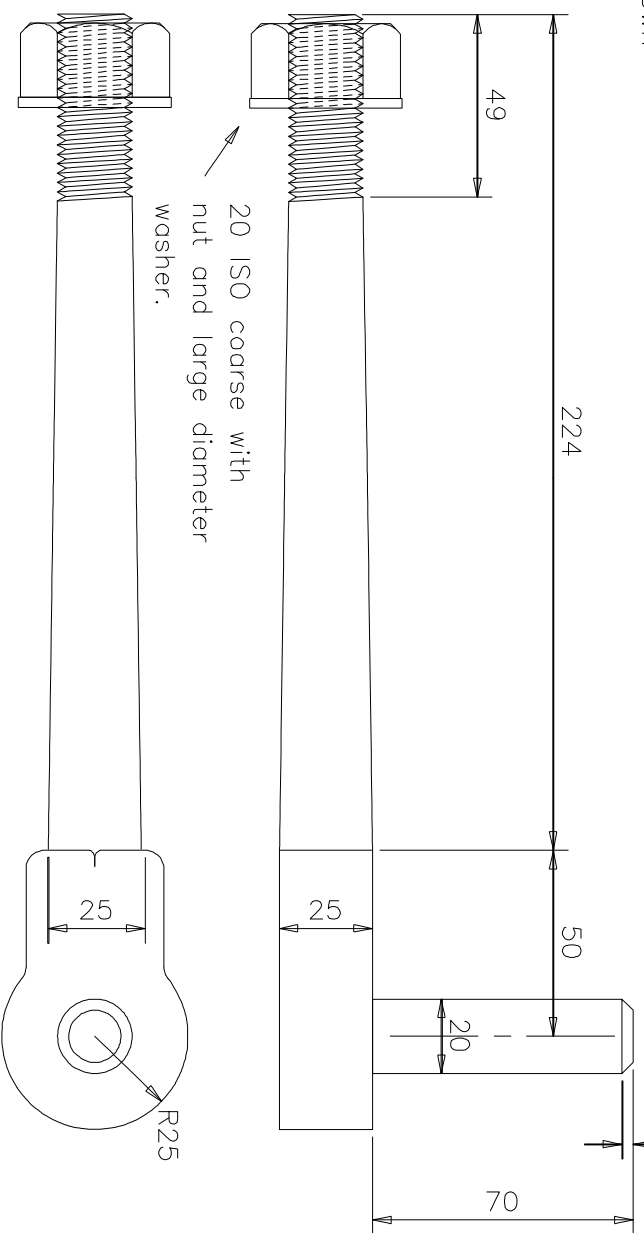
TOP HINGE



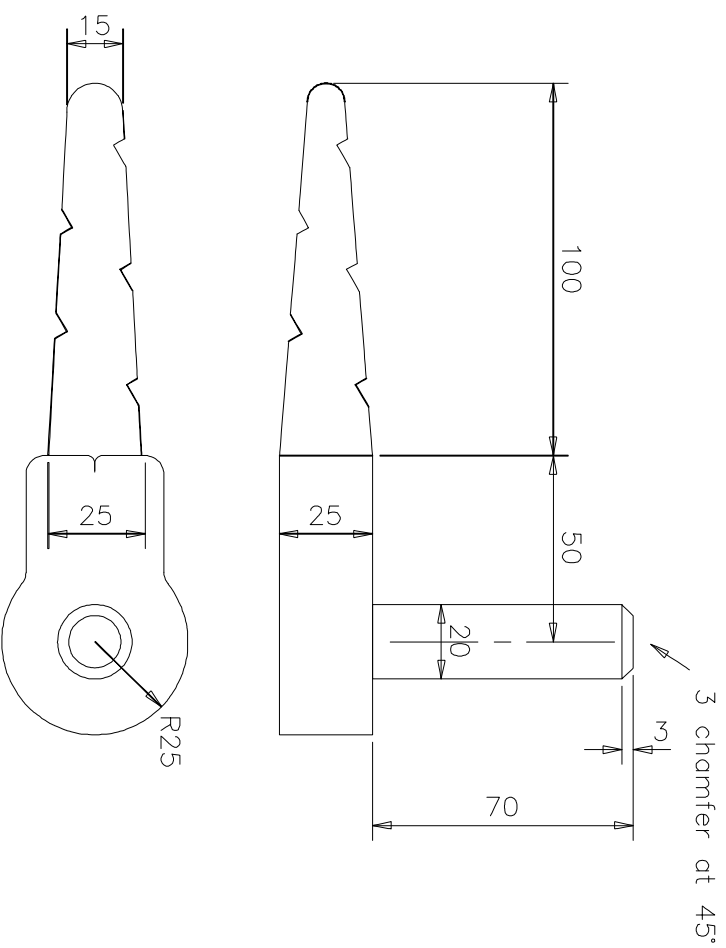
BOTTOM HINGE

Provision shall be made in the top hinge for three 10 dia. cup head square shanked bolts as shown

Provision shall be made in the bottom hinge for one 10 dia. cup head square shanked bolts as shown



TOP CROOK



BOTTOM CROOK

- NOTES
1. ALL DIMENSIONS ARE IN MILLIMETRES UNLESS OTHERWISE STATED.
 2. Gate fittings shall comply with BS 3470 or BS 5709
 3. Fittings shall be malleable iron or steel galvanized.

CLIENT



PROJECT TITLE

M8 M73 M74
Motorway Improvements

REV

REVISIONS

AMENDMENTS

BY

CHKD

APPD

DATE

DESIGN BY:

DATE:

CHECKED BY:

DATE:

DRAWN BY:

DATE:

APPROVED BY:

DATE:

DRAWING STATUS

CONTRACT

ENGINEER

mouchel FAIRHURST

IN ASSOCIATION WITH



DRAWING TITLE

Accommodation Works /G2
Hinges for timber field gate Type G1

SCALE @ A3

DRAWING NO

REV

NTS

M8MFJV/AW/101

—