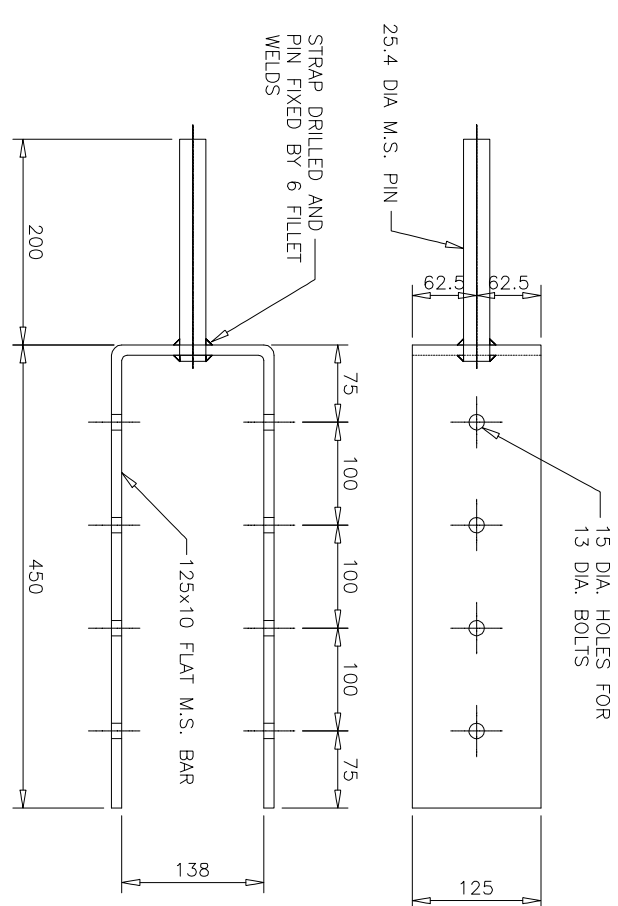
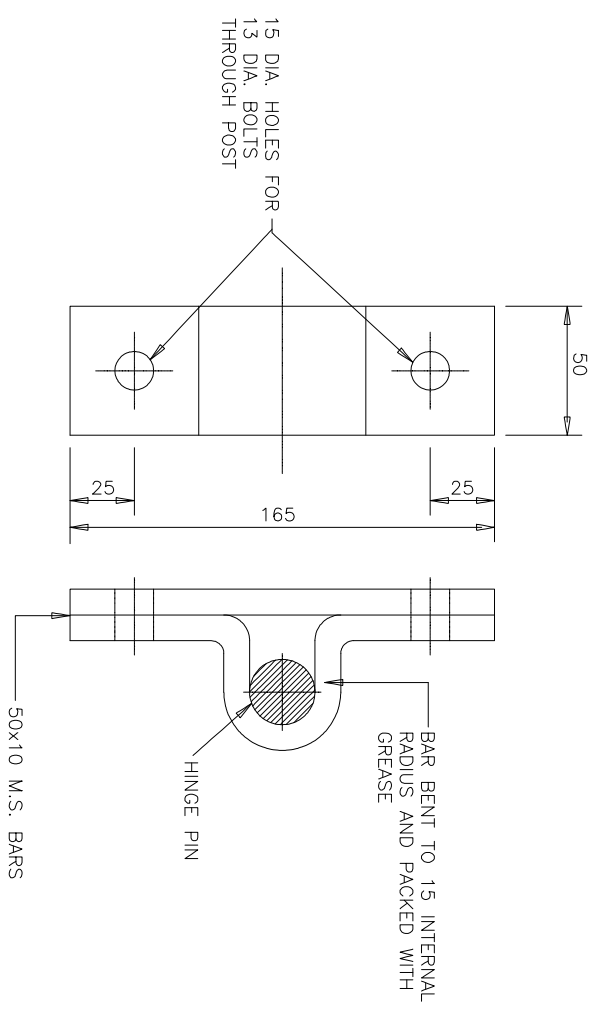


SECTION A-A



HINGE PIN



HINGE PIN

| REV | REVISIONS | BY | CHKD | APPD | DATE |
|-----|-----------|----|------|------|------|
| | | | | | |
| | | | | | |
| | | | | | |
| | | | | | |
| | | | | | |

This map is based upon Ordnance Survey material with the permission of Ordnance Survey on behalf of the Controller of the Majesty's Stationery Office (Crown Copyright). Any use of the map (including the reproduction thereof) in any form whatsoever is prohibited. Scottish Resurvey Licence number: 100046668 2011.

| | | | |
|------------|--------|--------------|--------|
| DESIGN BY: | DM | CHECKED BY: | MLB |
| DATE: | JAN 10 | DATE: | JAN 10 |
| DRAWN BY: | DM | APPROVED BY: | WW |
| DATE: | JAN 10 | DATE: | JAN 10 |