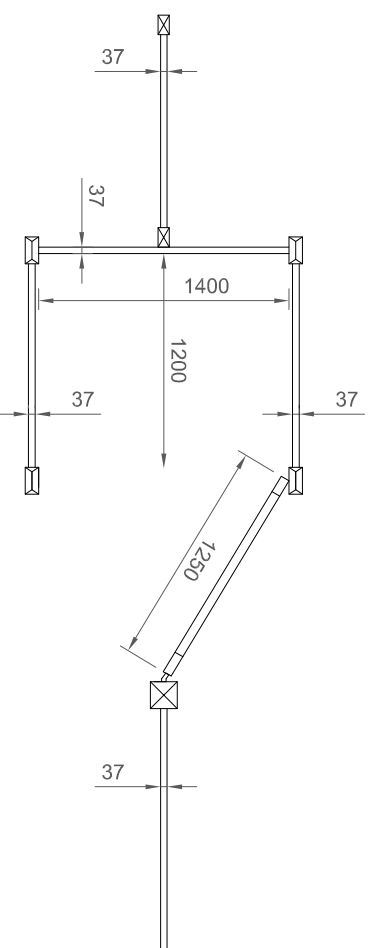
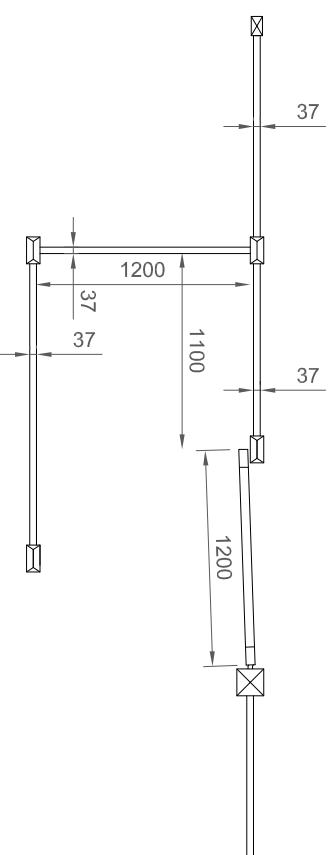
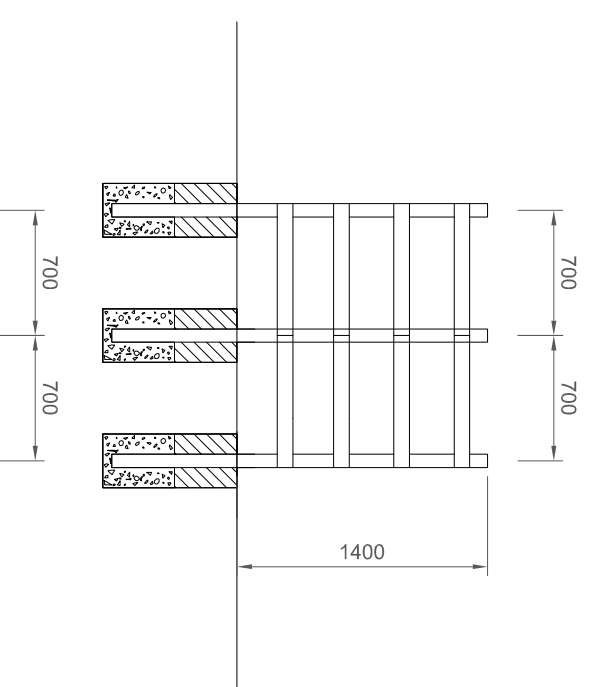


TYPICAL SECTION THROUGH CENTERLINE OF MAIN POSTS

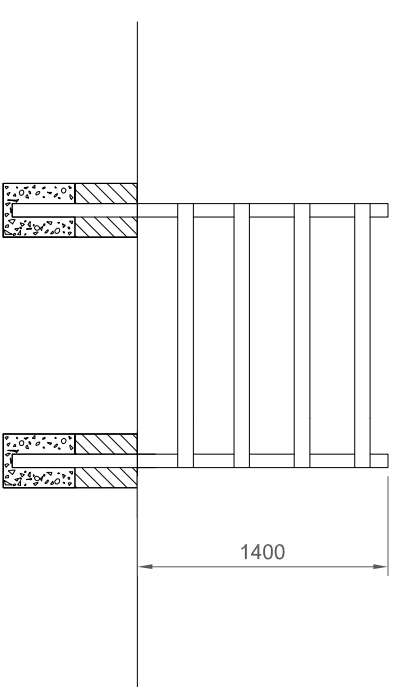
- NOTES**
1. All dimensions are in millimetres.
  2. All posts and struts to be sawn timber.
  3. 4 rail fence - BS 1722 part 7 applies unless otherwise stated.
  4. Details of posts and connections shall be in accordance with Drawing Nos. M8MFJV/AW/003 F3 and 004 F4.
  5. Posts can be supported by rammed backfill or concrete ST2 as required. BS 1722 part 7-7.2- Concrete for surrounding the bases of posts and struts shall be at least one part cement to 10 parts 20 mm all-in ballast to BS EN 12620:2002 mixed with the minimum requisite quantity of clean water, or grade C8/10 or ST2 concrete to BS 8500 parts 1 and 2. The concrete shall be placed in position before commencement of the initial set.



OPTION A



OPTION B



PLAN VIEW OPTIONS OF TIMBER POST AND 4 RAIL FENCE TYPE F1 WITH KISSING GATE DETAIL

CLIENT		PROJECT TITLE		DRAWING TITLE	
		<p>M8 M73 M74 Motorway Improvements</p>		<p>Accommodation Works Kissing Gate</p>	
REV	REVISIONS	BY	CHKD	APPD	DATE
AMENDMENTS		DRAWING STATUS		CONTRACT	
<p>This map is based upon Ordnance Survey material with the permission of Ordnance Survey on behalf of the Controller of the Majesty's Stationery Office (Crown Copyright © 2011). Any material from Ordnance Survey (including Ordnance name data) may be used in this drawing only in accordance with the terms of the Ordnance Survey License (OS Licence number: 100049668 2011).</p>					
DESIGN BY:	DM	CHECKED BY:	MAB	DATE:	JAN 10
DATE:	JAN 10	DATE:	JAN 10	DATE:	JAN 10
DRAWN BY:	DM	APPROVED BY:	MAB	DATE:	JAN 10
DATE:	JAN 10	DATE:	JAN 10	DATE:	JAN 10
ENGINEER				SCALE @ A3	
				DRAWING NO	
				M8MFJV/AW/107	
				REV	
				-	