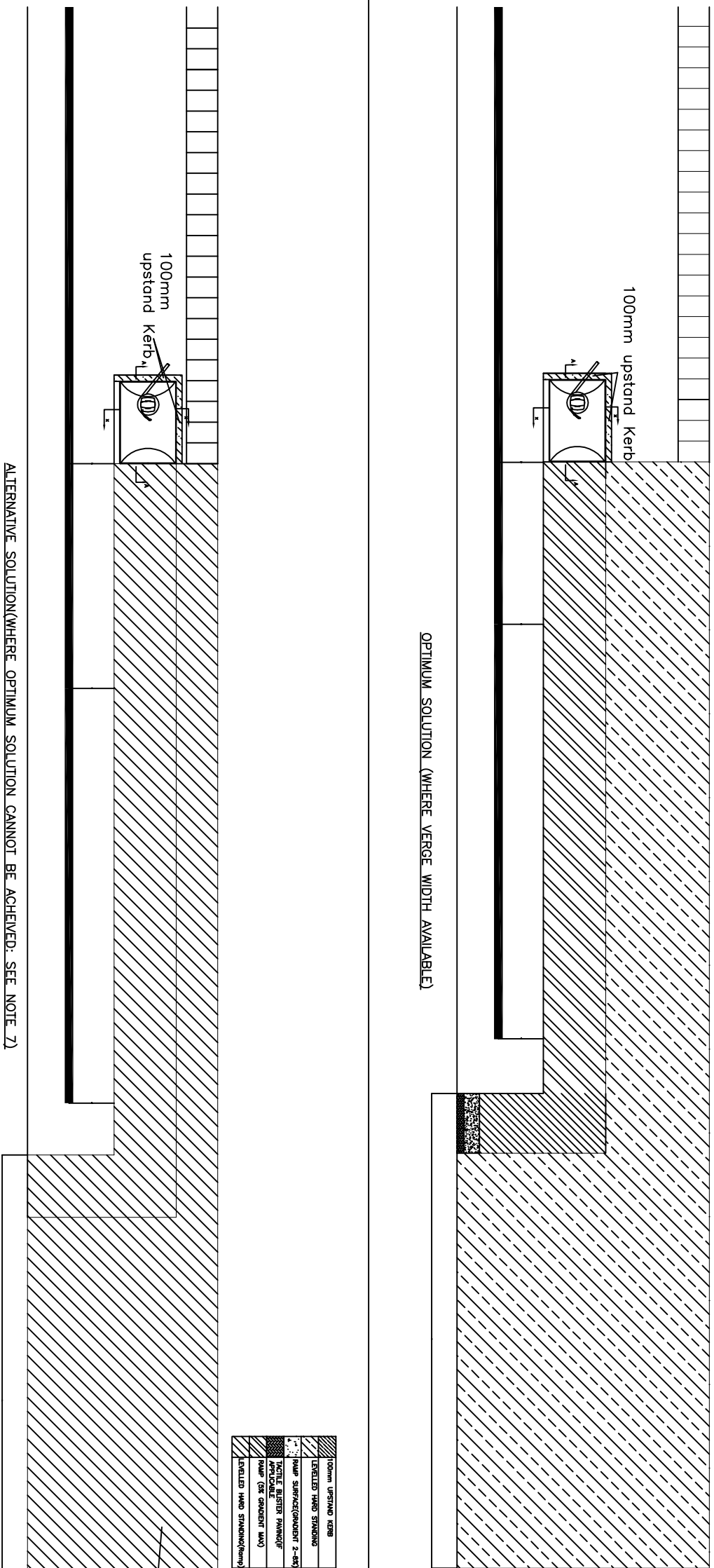
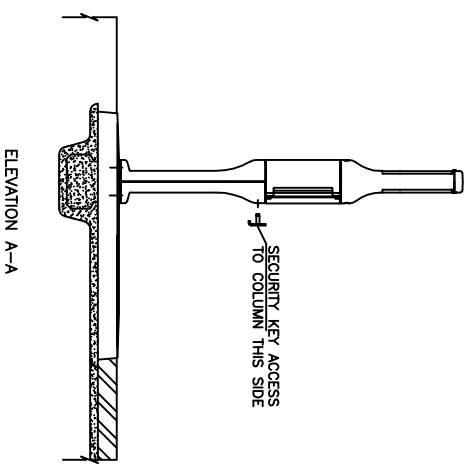
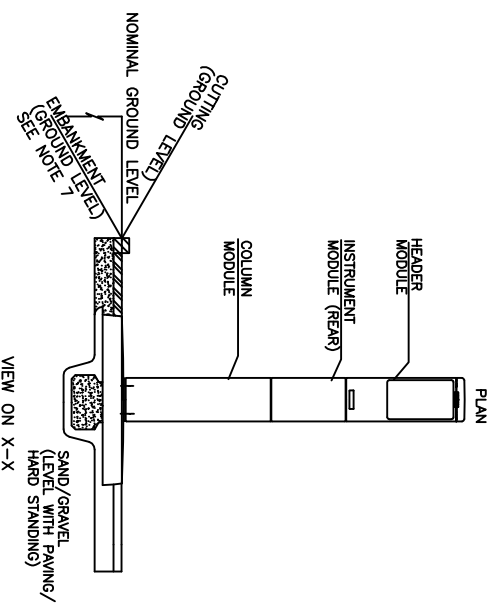


Note:  
The NDX series of drawings represents non site specific installations of standard equipment and site layouts.



ALTERNATIVE SOLUTION(WHERE OPTIMUM SOLUTION CANNOT BE ACHIEVED: SEE NOTE 7)

	100mm UPSTAND KERB
	TOLERATED HARD STANDING
	RAUP SURFACE(GRADEMENT 2-4%)
	INSTRUMENT BLISTER PANOPIE REPLICABLE RAUP (SEE GRADIENT MAX)
	EMBEDDED HARD STANDING

	100mm UPSTAND KERB
	TOLERATED HARD STANDING
	RAUP SURFACE(GRADEMENT 2-4%)
	INSTRUMENT BLISTER PANOPIE REPLICABLE RAUP (SEE GRADIENT MAX)
	EMBEDDED HARD STANDING

SEE NOTE 5

NOTES  
1. SEE GENERAL INSTALLATION NOTES ON DRAWING NDX1049-02no\_01

2. AT KERB SITES THE ACCESS RAMP UP TO THE PLINTH SHALL HAVE A GRADIENT OF NO GREATER THAN 5%.
3. ROTATE CABLE PIT MOUNDING TO ALIGN WITH INCOMING DUCT FOR RETRO-FIT INSTALLATION REUSING THE EXISTING CABLE. ANY SPARE CABLE SHALL BE RETAINED IN THE CABLE PIT MOUNDING FOR NEW INSTALLATIONS. OR OTHERWISE WHERE NEW CABLE IS BEING INSTALLED, A MINIMUM 500M LENGTH RE-MAKE LOOP SHALL BE RETAINED IN THE CABLE PIT MOUNDING. FOR FURTHER CABLING DETAILS SEE NDX1049-02no\_01 NOTE 18;THE CABLE PIT MOUNDING AND ASSOCIATE DUST IS NOT USED AT GSM VARIANT SITES.
4. IN ACCORDANCE WITH 3.39 OF TD19/06 IT IS PREFERABLE FOR THE ROUTES (ACCESS RAMP) TO BE LOCATED COMPLETELY BEYOND THE WORKING WIDTH OF THE AS FAR FROM THE REAR OF VRS AS REASONABLY PRACTICAL.
5. WHERE THE OPTIMUM SOLUTION CANNOT BE ACHIEVED, THE ALTERNATIVE SOLUTION SHOULD UTILISE A DUAL PURPOSE HARDSTANDING SURFACE WHICH IS SUITABLE FOR BOTH MAINTAINANCE VEHICLE PARKING AND PEDESTRIAN/WHEELCHAIR USER ACCESS TO THE ERT.

This drawing was generated on computer and must not be manually updated

# TYPICAL ERT 354 ACCOMMODATING ERT AT VMS HARD STANDING

ORIGINAL DRAWING SIZE: 297 x 420
ALL DIMENSIONS ARE IN MM
TOLERANCE +- 1 UNLESS OTHERWISE STATED
THIRD ANGLE PROJECTION DO NOT SCALE

ISSUE	AMENDMENTS	APPD/DATE
B	REDRAWN	BD 13/10/09
A	INITIAL ISSUE	-
DRN	A.N.O.	CHKD
DATE		A.W.
DRG. NO.	NDX1049-02ga	SHT. NO.
		19 of 19