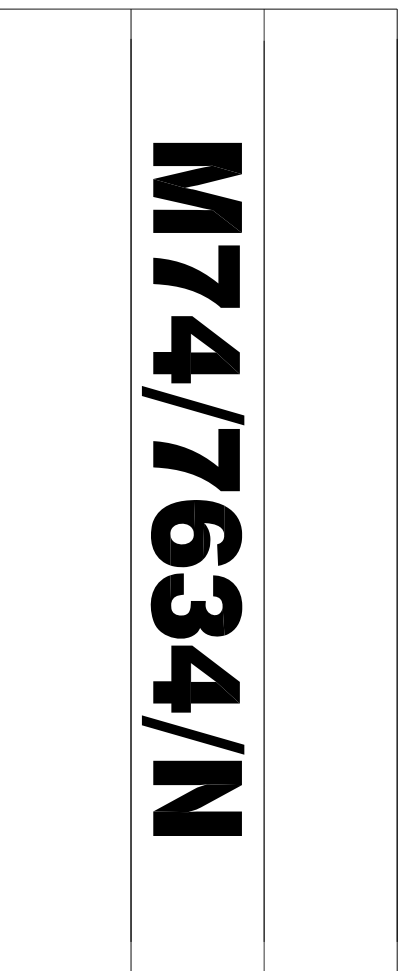
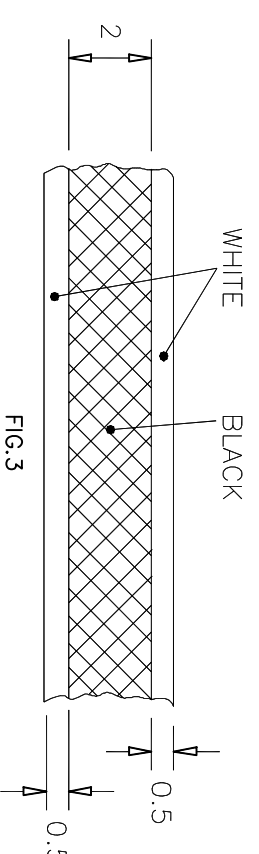
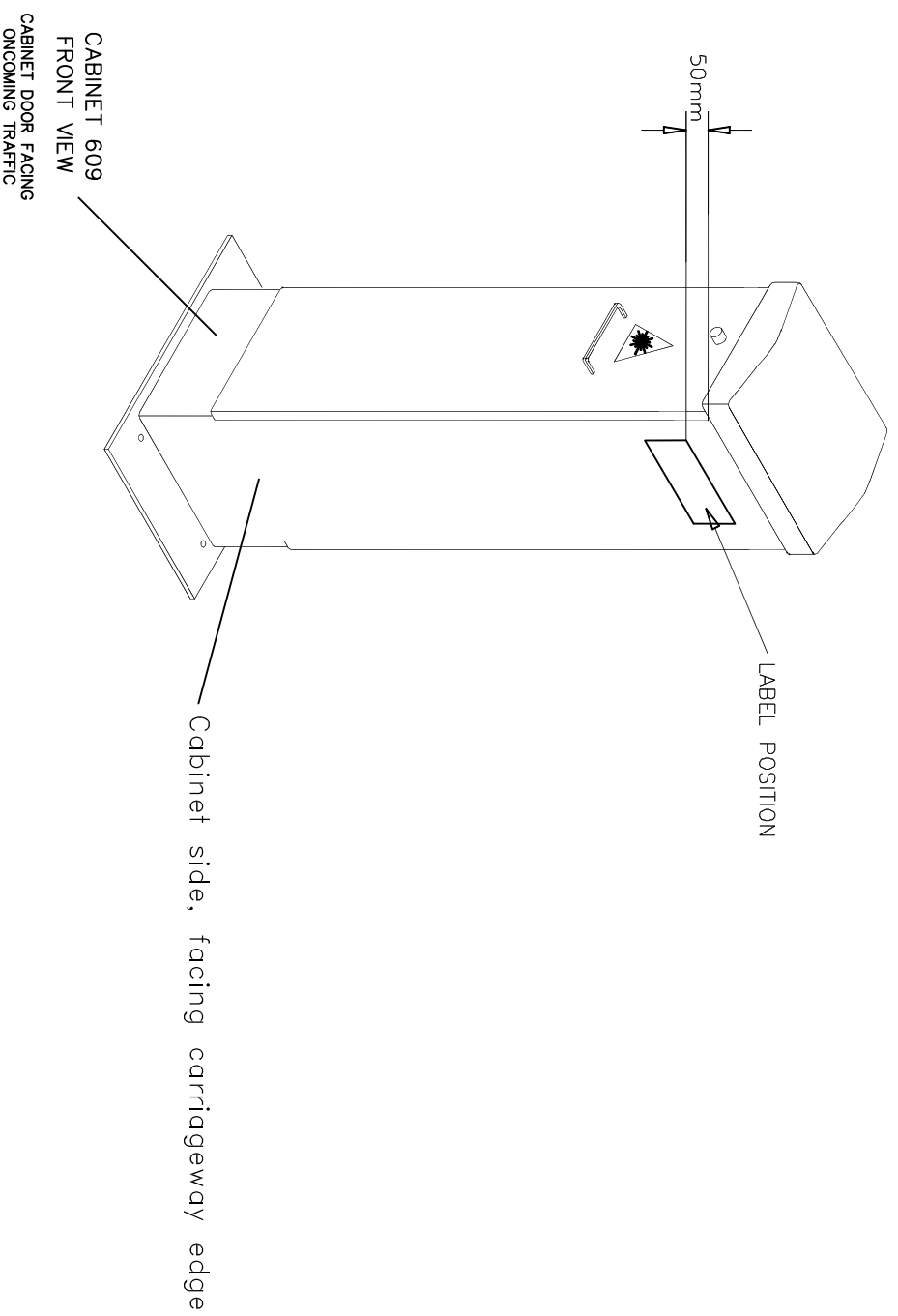
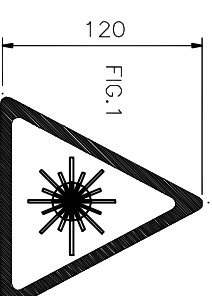


609 CABINET IDENTIFICATION LABEL EXAMPLE



For other standard
Cabinet Identifier
Abbreviations
see sheet 6



CROSS SECTION OF LAMINATED SHEET

SCOTTISH EXECUTIVE

Traffic Controller Unit,
EDINBURGH, EH8 8QQ

NADICCS
www.nadics.org.uk

TITLE HA TYPE 609 CABINET LABELS
This drawing was generated on computer and must not be manually updated

ORIGINAL DRAWING SIZE: 297 x 420
ALL DIMENSIONS ARE IN MM
TOLERANCE ± 1 UNLESS OTHERWISE STATED
THIRD ANGLE PROJECTION DO NOT SCALE

ISSUE	AMENDMENTS	APPD/DATE
1	FIRST ISSUE	BD 09/07/02

DRN C.S.G. CHKD B.D. SCALE
DATE 05.07.02 DATE 09.07.02 N.T.S.

DRG. NO. **NDX1034-00dt** SHI. NO. 5 of 6