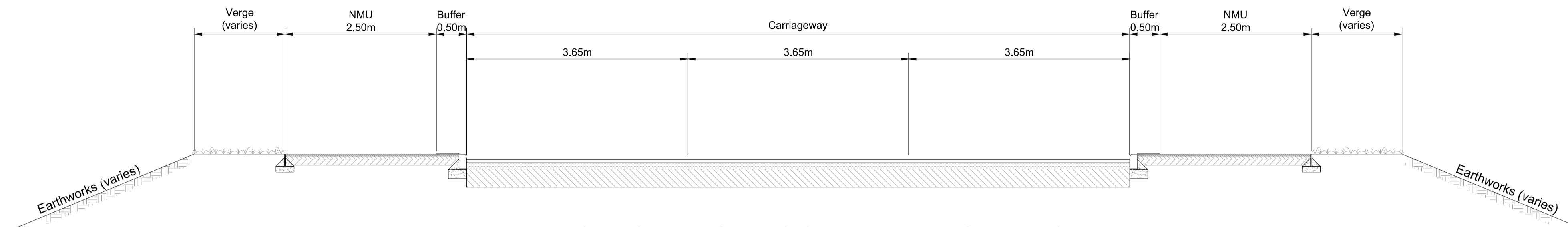
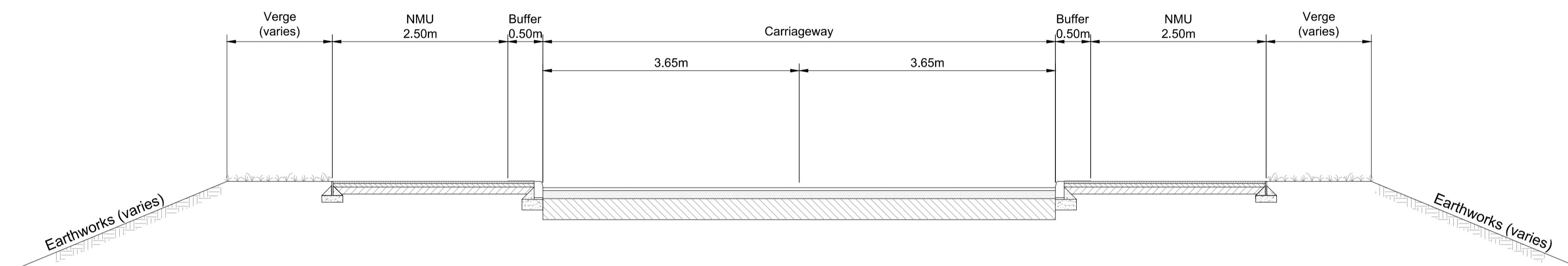


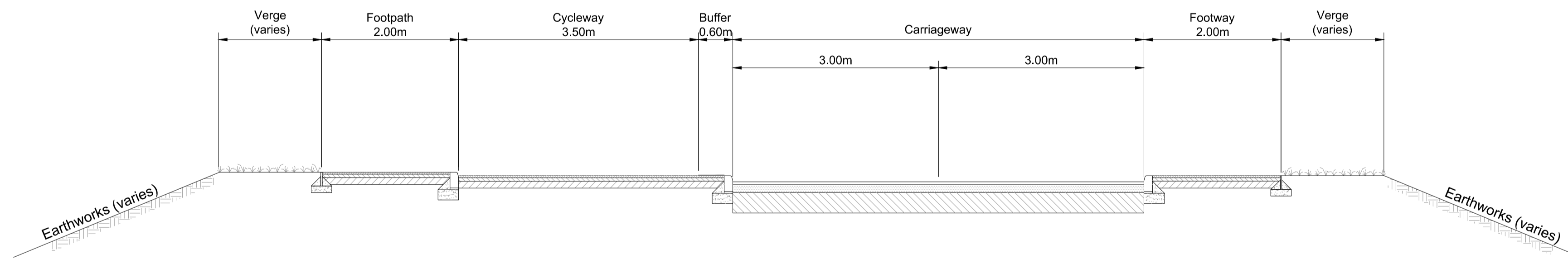
Notes
 1. All dimensions are in metres unless stated otherwise.



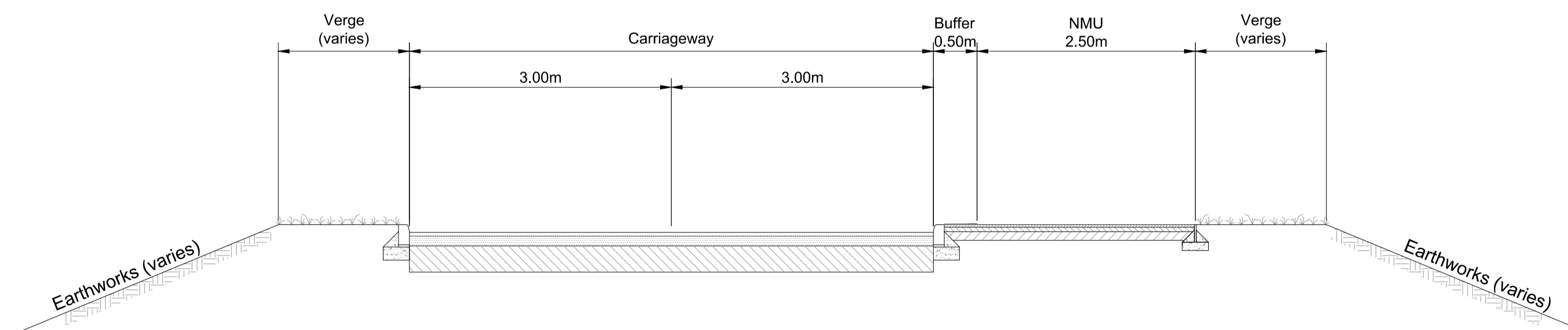
LINK 1: CULLODEN ROAD TO CRADLEHALL ROUNDABOUT
 TYPICAL CARRIAGEWAY CROSS-SECTION
 (Northbound)



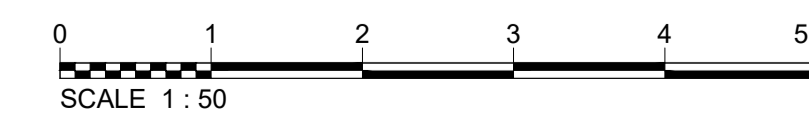
LINK 2: CRADLEHALL ROUNDABOUT TO EASTFIELD WAY ROUNDABOUT
 LINK 4: EASTFIELD WAY ROUNDABOUT TO SMITHTON JUNCTION
 TYPICAL CARRIAGEWAY CROSS-SECTION
 (Northbound)



LINK 3: EASTFIELD WAY ROUNDABOUT TO INVERNESS RETAIL AND BUSINESS PARK
 TYPICAL CARRIAGEWAY CROSS-SECTION
 (Westbound)



LINK 5: CRADLEHALL ROUNDABOUT TO INVERNESS CAMPUS
 TYPICAL CARRIAGEWAY CROSS-SECTION
 (Westbound)



P00.2	20/09/19	FINAL ISSUE	AT	CH	DC	DC
Rev	Rev. Date	Purpose of revision	Drawn	Checked	Rev'd	Apprv'd

JACOBS
 95 Bothwell St, Glasgow, G2 7HX
 Tel: +44(0)141 243 8200 Fax: +44(0)141 226 3109
 www.jacobs.com



Client
 Project
A9/A96 INSHES TO SMITHTON

Drawing title
**DMRB STAGE 3
 SCHEME ASSESSMENT REPORT
 PROPOSED SCHEME
 ROAD CROSS SECTIONS
 FIGURE 3.4A**

Drawing status
S2 - SUITABLE FOR INFORMATION

Scale	1:50@A1	DO NOT SCALE
Jacobs No.	B2103501	
Drawing number	A9-A96IS-JAC-HGN-MULTI-DR-CI-0006	Rev
		P00.2

© Copyright 2019 Jacobs U.K. Limited. The concepts and information contained in this document are the property of Jacobs. Use or copying of this document in whole or in part without the written permission of Jacobs constitutes an infringement of copyright. Limitation: This drawing has been prepared on behalf of, and for the exclusive use of, Jacobs' Client, and is subject to, and issued in accordance with, the provisions of the contract between Jacobs and the Client. Jacobs accepts no liability or responsibility whatsoever for, or in respect of, any use of, or reliance upon, this drawing by any third party.